

FEATURES AND BENEFITS

- Corrosion resistant thermoplastic body & disc.
- Compact and light weight design
- Full boot seal for durable performance
- ANSI B16.5 Class 150 Flange Pattern
- ISO 5211 compliant mounting pattern for actuators or gear operators.
- Pressure rating: 150 psi non-shock water @ 73° F 2-10", 100 psi for 12".
- With its robust boot/seal design, no flange gaskets are required
- 100% Bubble tight seal
- Face to face dimensions match Asahi Type 56/57 BFV for direct retrofit.

SAMPLE ENGINEERING SPECIFICATIONS

Butterfly Valve body shall be produced of PVC Type I, cell classification 12454 or CPVC Type IV, cell classification 23447 material. Disc shall be produced of Polypropylene or CPVC material. Valve boot/seal and O-rings shall be made of EPDM, or FKM material. Stem shall be made of stainless steel. The disc bore (center) shall contain a integrally molded stainless steel reinforcement square liner, which engages with the stainless steel valve shaft. Boot/seal (liner) and disc shall be the only wetted parts of the valve. ISO 5211 Mounting pattern on top for direct actuation mount. Bolt pattern shall conform to ANSI/ASME B 16.5 Class 150 standard. Colonial 411ND Series.



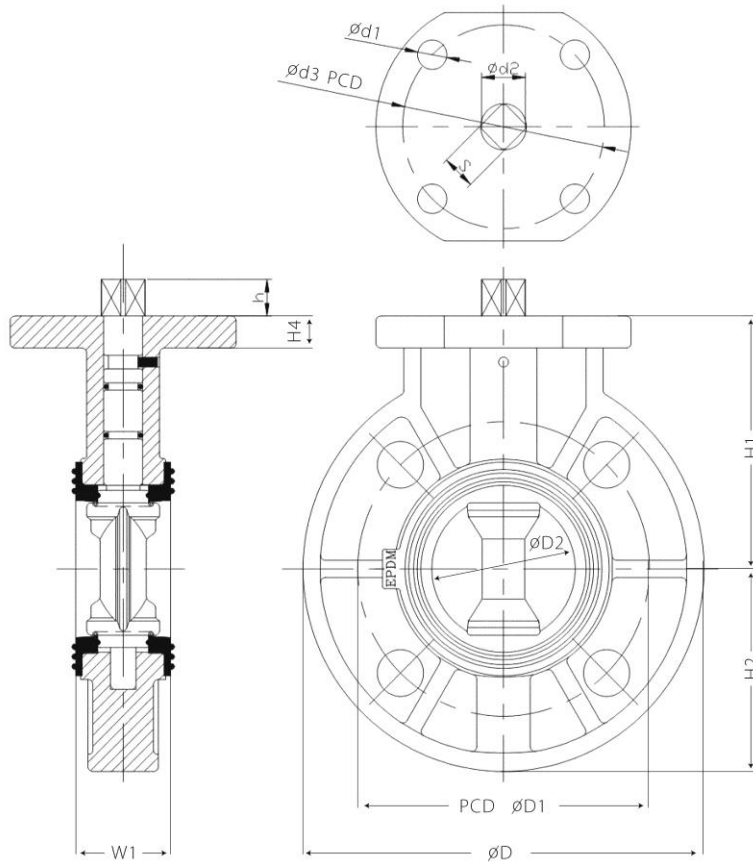
Rev 6/8/26 updated d3 BCD for 4" Valves

**TEMPERATURE DE-RATING
FOR VALVES & UNIONS
(ABOVE 73°)**

TEMP (°F)	PVC	CPVC
73	1.00	1.00
80	0.88	0.96
90	0.75	0.92
100	0.62	0.85
110	0.50	0.77
120	0.40	0.70
130	0.30	0.62
140	0.22	0.55
150	NR	0.47
160	NR	0.40
170	NR	0.32
180	NR	0.25
200	NR	0.18
210	NR	0.15
240	NR	NR
280	NR	NR

NR: Not Recommended

Caution: Colonial recommends a minimum installation of 10 X the pipe diameter from a pump or other sources of turbulence.



Size	*PVC/EPDM	PVC/FKM	CPVC/EPDM	CPVC/FKM	Opening Torque (in.lbs.)
2	V20411ND	V20412ND	V20413ND	V20414ND	113
3	V30411ND	V30412ND	V30413ND	V30414ND	260
4	V40411ND	V40412ND	V40413ND	V40414ND	391
6	V60411ND	V60412ND	V60413ND	V60414ND	738
8	V80411ND	V80412ND	V80413ND	V80414ND	1302
10	V100411ND	V100412ND	V100413ND	V100414ND	2604
12	V120411ND	V120412ND	V120413ND	V120414ND	3906

*PVC Body with PP Disc and EPDM liner are stocked. PVC/FKM, CPVC/EPDM, CPVC/FKM are made to order. Check with Customer Service for lead-time.

Size	Dimensions in Inches								Dimensions in mm			
	ØD1	ØD2	ØD	Ød1	H1	H2	H4	W1	S	h	Ød2	Ød3*
2	4.76	2.22	6.50	0.35	4.06	3.25	0.60	1.69	11	12	14	F05 & F07
3	5.98	3.13	7.87	0.35	4.53	3.94	0.60	1.81	14	15	18	F05 & F07
4	7.52	4.04	9.02	0.35	5.33	4.51	0.60	2.20	14	15	18	F07 & F10
6	9.49	6.02	11.22	0.39	6.97	5.61	0.98	2.78	17	19	22	F07 & F10
8	11.72	7.99	13.50	0.39	8.27	6.75	0.98	3.35	22	24	28	F10
10	14.25	10.23	16.19	0.39	9.44	8.10	0.98	4.29	22	24	28	F10
12	17.00	12.25	19.28	0.55	11.69	9.64	0.98	5.24	27	29	36	F12

*F05 = 50mm / 1.97", F07 = 70mm / 2.76", F10 = 102mm / 4.01", F12 = 125mm, 4.92"



CUSTOMER SERVICE: 6400 Corporate Ave., Portage, MI 49002

Toll-free (800)374 0234, Phone (269)323 2495, Fax (269) 323 0630 www.colonialengineering.com