

Corrosion Resistant Thermoplastic Valves and Unions

LIST PRICE SHEET

BALL VALVES

ACTUATED VALVES

MIP BALL VALVES

BUTTERFLY VALVES

CHECK VALVES AND AIR RELEASE VALVES

STRAINERS

UNIONS

SLO-CLOSE VALVES

INFO/TERMS/WARRANTY

| PRICE GROUP | DESCRIPTION | DISCOUNT MULTIPLIER |
|-------------|---|---------------------|
| VA | TUBVBS, SUBVBS, SUPER C COMPACTS, BALL CHECK, SWING CHECK, SPRING CHECK, LAB VALVES, AIR RELEASE VALVES | |
| VB | ACTUATORS, BOLT SETS, Y-STRAINERS, REPAIR PARTS, ACCESSORIES | |
| VC | BUTTERFLY VALVES | |
| VK | CONTRACTOR KITS (BFV & WAFER CHECK) | |
| VM | MIP COMPACT BALL VALVES | |
| VS | SLO-CLOSE BALL VALVES (SEE PRICE SHEET VPSC-12) | |
| VT | CPVC CTS BALL VALVES | |
| VU | PVC SCH 80 UNIONS | |

EFFECTIVE - AUGUST 18, 2025

VPS-33

Supersedes VPS-32

Revisions, additions, and price changes are shown in **bold print**.

For a list of changes, see page 2.



Proven Performance Since 1982

Bolt Set & Gasket KITS for Flg x Flg connections
Page 17

Continuous-Acting Air Release / Vacuum Breaker Valve
Page 21



Visit Us Online!

**Design & Installation Information | Installation/Operation/Maintenance Sheets
Valve Submittals & 3D CAD Files | Sample Engineering Specs | Industry Standards
Chemical Resistance Information | Custom Injection Molding | Industry Links**



REVISIONS, ADDITIONS, AND PRICE CHANGES ARE SHOWN IN BOLD PRINT.

Master Carton Quantity changes:

In some cases, the change is limited to a reduction in master carton quantity. Those changes are being phased in through the inventory, so please check your current or inbound stock before updating your system. (See pg 4, 9, 11, 12, 15, 19, 20)

List Price Increases on Select Products

List price increases have been implemented due to tariffs imposed in 2025. Where ever possible, the effects of the tariffs have been mitigated by improved manufacturing and supply-chain management. Increased prices will be shown in **BOLD** print, with the percentage-change indicated.

New Products:

- New configurations for Stem Extensions for Buttery Valves 16
- New Kits Including Gaskets & Bolts Sets for Flanged Connections 17
- Continuous-Acting Air Release / Vacuum Breaker Valves 21

Page



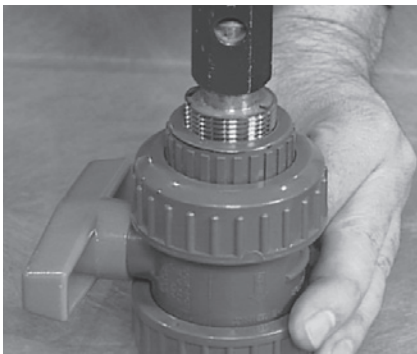
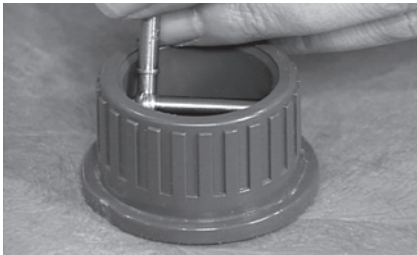
www.colonialengineering.com

RECOMMENDATIONS TO INSTALLERS AND USERS

For over 50 years, thermoplastic valves have been growing in acceptance as an effective choice over metal valves in many applications. The advantages of thermoplastic valves include:

- Thermoplastic valves are dielectric, so they do not support an electrical charge. This enables them to be immune from the electro-chemical corrosion that occurs with metal valves.
- Thermoplastic materials are immune to microbiological-influenced corrosion that leads to rust and pitting in metal valves.
- Interior walls are molded with a smooth finish that enables high flow coefficient and consistent performance over an extended service life.
- Up to 70% lighter in weight than metal valve counterparts. This allows for lower freight and handling costs, and ease of installation.
- Lower thermal conductivity than metal valves, minimizing heat loss or gain.

Value-added engineering, adherence to ASTM standards for materials and dimensions, and stringent manufacturing quality make Colonial Thermoplastic Valves your solution for reliable flow control.



All socket and thread dimensions meet ASTM requirements:

- PVC D-2467, D-2464 (ANSI B1.20.1)
- CPVC F-439, F437 (ANSI B1.20.1)
- All flange dimensions are ANSI/ASME B16.5 Class 150 (Steel flange bolt pattern).

Viton® is a registered trademark of DuPont Performance Elastomers.

Material Specifications

PVC conforms to ASTM D-1784, Cell Class 12454
 CPVC conforms to ASTM D-1784, Cell Class 23447
 PP conforms to ASTM D-4101 (Natural)

See Page 22 For Details on Seat and O-Ring Materials

Plastic piping systems should be engineered, installed, operated and maintained in accordance with accepted standards and procedures. Suitability for the intended application should be determined and verified by the designer and/or installer. Prior to assembly, all piping components should be inspected for damage or irregularities, and for the proper fit of mating components. The published instructions of the manufacturers of all attributes of the piping system (including but not limited to: pipe, fittings, valves, solvent cement & primer, thread sealant or Teflon tape) must be followed. All design, installation, operation and maintenance personnel must be trained on the proper precautions, use, handling, and installation of thermoplastic piping systems prior to use. A **NOTE ON VALVE SELECTION:** Ball Valves are designed for On/Off service and are **NOT SUITABLE** for long-term throttling in a semi-closed position. Butterfly Valves **ARE SUITABLE** for both throttling and for On/Off service.

In order to maintain consistent operational torque, it is recommended that a valve should be exercised (cycled open/close) at least once a month.

TEMPERATURE CORRECTION FACTORS FOR VALVES & UNIONS (ABOVE 73°F)

| Temp (°F) | PVC | CPVC | PP |
|-----------|------|------|------|
| 73 | 1.00 | 1.00 | 1.00 |
| 80 | .88 | .96 | .93 |
| 90 | .75 | .92 | .83 |
| 100 | .62 | .85 | .74 |
| 110 | .50 | .77 | .66 |
| 120 | .40 | .70 | .58 |
| 130 | .30 | .62 | .51 |
| 140 | .22 | .55 | .40 |
| 150 | NR | .47 | .38 |
| 160 | NR | .40 | .35 |
| 170 | NR | .32 | .29 |
| 180 | NR | .25 | .23 |
| 200 | NR | .18 | .14 |
| 210 | NR | .15 | .10 |
| 240 | NR | NR | NR |
| 280 | NR | NR | NR |

NR: Not Recommended

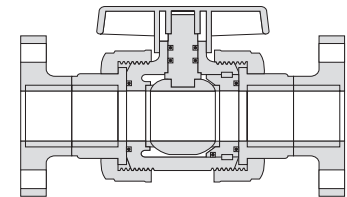
Caution: Colonial recommends a minimum installation distance of 10 X the pipe diameter from a pump or other sources of turbulence.

COMPRESSED AIR WARNING

The products in this document are only intended for use in transferring or storing chemically compatible pressurized liquids. Do not test or use products in this document with compressed air or other gases. Doing so is dangerous and could cause injury or great bodily harm should a system fail under compressed air. Only use products that are specifically designed for compressed air/gas service. Call Colonial technical service for more information.

METAL TO PLASTIC TRANSITION WARNING

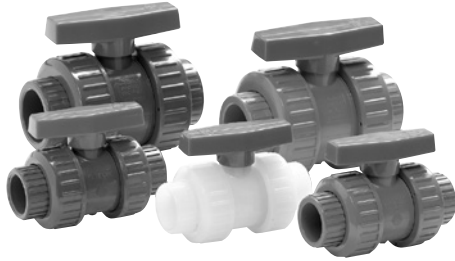
Colonial does not recommend the joining of metal pipe threads with plastic female pipe threads. To join a metal system with a plastic system, we recommend the use of a transition union or flanged end connections (shown below).



Commercial Pool system with Colonial BFVs

Pressure ratings are for non-shock water at 73°F.

FULL BLOCK™ INDUSTRIAL TRUE UNION BALL VALVE WITH TEFLON® SEATS



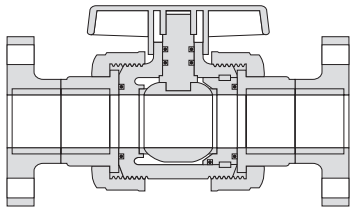
- Premium performance in piping systems since 1984
- Pressure Rating (non-shock water 73°F):
235 psi 1/2" - 2"
150 psi 2-1/2" - 6"
- Pressure rating per ASTM F-1970
- Features external seat-wear adjustment.
- Actuated valve packages available on TUBV's and Butterfly Valves.
- **Full Port Schedule 80 Design**
- Smooth Turning
- Repair Parts Available
- Full Port Sch 80 design virtually eliminates pressure drop, providing excellent flow characteristics.
- Assembled with water soluble, silicone-free O-ring lubricant. (Exception: 2-1/2")
- **Certified to NSF/ANSI 61 and 372**



Note: 3/8" and 1/4" sizes are available (1/2" valves pre-assembled with reducer bushings). Contact Customer Service for part number and pricing.

Opening Torque Under Pressure

| Size | Torque (In lbs.) | Size | Torque (In lbs.) |
|------|------------------|--------------|------------------|
| 1/2 | 16 | 1-1/4, 1-1/2 | 110 |
| 3/4 | 35 | 2 | 180 |
| 1 | 60 | 3 | 600 |
| | | 4 | 1,000 |



(Flanged Type)

*¹ 6" Venturied: Assembled with 4" valve and 6 x 4 reducing couplings

*² 2-1/2" TUBVs are from the Commercial Series. Full Port. PTFE seat. 150 psi.

See page 22 for details on O-Ring and Seat Materials

| Part No. | Size | Ctn. Qty. | %Change | List |
|--|-------|-----------|---------|---------|
| PVC w/EPDM O-RINGS: Pricing Schedule VA | | | | |
| Socket & Threaded End Connectors | | | | |
| V07101N | 1/2 | 24 | | \$71.51 |
| V08101N | 3/4 | 24 | | 83.72 |
| V10101N | 1 | 24 | | 98.84 |
| V14101N | 1-1/4 | 12 | | 167.91 |
| V17101N | 1-1/2 | 12 | | 167.91 |
| V20101N | 2 | 6 | | 223.93 |
| V27050N * ² | 2-1/2 | 4 | | 314.10 |

| Socket | Size | Ctn. Qty. | %Change | List |
|------------------------|------|-----------|---------|----------|
| V30101N | 3 | 4 | | \$532.18 |
| V40101N | 4 | 1 | | 918.38 |
| V60101N * ¹ | 6 | 1 | | 1,423.99 |

| Threaded | Size | Ctn. Qty. | %Change | List |
|----------|------|-----------|---------|----------|
| V30111N | 3 | 4 | | \$532.18 |
| V40111N | 4 | 1 | | 918.38 |

| Flanged | Size | Ctn. Qty. | %Change | List |
|------------------------|-------|-----------|---------|----------|
| V07121N | 1/2 | 1 | | \$115.40 |
| V08121N | 3/4 | 1 | | 146.18 |
| V10121N | 1 | 1 | | 176.94 |
| V14121N | 1-1/4 | 1 | | 207.69 |
| V17121N | 1-1/2 | 1 | | 261.57 |
| V20121N | 2 | 1 | | 417.33 |
| V27151N * ² | 2-1/2 | 1 | | 679.99 |
| V30121N | 3 | 1 | | 807.70 |
| V40121N | 4 | 1 | | 1,623.99 |
| V60121N * ¹ | 6 | 1 | | 2,367.89 |

| Part No. | Size | Ctn. Qty. | %Change | List |
|---|-------|-----------|---------|----------|
| CPVC w/EPDM O-RINGS: Pricing Schedule VA | | | | |
| Socket & Threaded End Connectors | | | | |
| V07103N | 1/2 | 24 | | \$113.31 |
| V08103N | 3/4 | 24 | | 142.73 |
| V10103N | 1 | 24 | | 169.90 |
| V14103N | 1-1/4 | 12 | | 285.26 |
| V17103N | 1-1/2 | 12 | | 285.26 |
| V20103N | 2 | 6 | | 381.54 |
| V27053N * ² | 2-1/2 | 4 | | 631.57 |

| Socket | Size | Ctn. Qty. | %Change | List |
|---------|------|-----------|---------|------------|
| V30103N | 3 | 4 | | \$1,052.69 |
| V40103N | 4 | 1 | | 1,615.17 |
| V60103N | 6 | 1 | | 2,664.08 |

| Threaded | Size | Ctn. Qty. | %Change | List |
|----------|------|-----------|---------|------------|
| V30113N | 3 | 4 | | \$1,052.69 |

| Flanged | Size | Ctn. Qty. | %Change | List |
|------------------------|-------|-----------|---------|----------|
| V07123N | 1/2 | 1 | | \$190.31 |
| V08123N | 3/4 | 1 | | 232.73 |
| V10123N | 1 | 1 | | 269.34 |
| V14123N | 1-1/4 | 1 | | 400.08 |
| V17123N | 1-1/2 | 1 | | 439.29 |
| V20123N | 2 | 1 | | 611.87 |
| V30123N | 3 | 1 | | 1,584.59 |
| V40123N | 4 | 1 | | 2,776.94 |
| V60123N * ¹ | 6 | 1 | | 3,986.42 |

| Part No. | Size | Ctn. Qty. | %Change | List |
|---|-------|-----------|---------|---------|
| PVC w/FKM O-RINGS: Pricing Schedule VA | | | | |
| Socket & Threaded End Connectors | | | | |
| V07102N | 1/2 | 24 | | \$81.19 |
| V08102N | 3/4 | 24 | | 94.11 |
| V10102N | 1 | 24 | | 113.39 |
| V14102N | 1-1/4 | 12 | | 187.01 |
| V17102N | 1-1/2 | 12 | | 187.01 |
| V20102N | 2 | 6 | | 246.59 |
| V27052N * ² | 2-1/2 | 4 | | 449.91 |

| Socket | Size | Ctn. Qty. | %Change | List |
|------------------------|------|-----------|---------|----------|
| V30102N | 3 | 4 | | \$592.88 |
| V40102N | 4 | 1 | | 1,012.57 |
| V60102N * ¹ | 6 | 1 | | 1,517.21 |

| Threaded | Size | Ctn. Qty. | %Change | List |
|----------|------|-----------|---------|----------|
| V30112N | 3 | 4 | | \$592.88 |
| V40112N | 4 | 1 | | 1,012.61 |

| Flanged | Size | Ctn. Qty. | %Change | List |
|------------------------|-------|-----------|---------|----------|
| V07122N | 1/2 | 1 | | \$129.18 |
| V08122N | 3/4 | 1 | | 159.00 |
| V10122N | 1 | 1 | | 191.28 |
| V14122N | 1-1/4 | 1 | | 207.69 |
| V17122N | 1-1/2 | 1 | | 285.67 |
| V20122N | 2 | 1 | | 439.70 |
| V27152N | 2-1/2 | 1 | | 757.86 |
| V30122N | 3 | 1 | | 1,003.57 |
| V40122N | 4 | 1 | | 1,880.47 |
| V60122N * ¹ | 6 | 1 | | 2,426.98 |

| Part No. | Size | Ctn. Qty. | %Change | List |
|--|-------|-----------|---------|----------|
| CPVC w/FKM O-RINGS: Pricing Schedule VA | | | | |
| Socket & Threaded End Connectors | | | | |
| V07104N | 1/2 | 24 | | \$125.93 |
| V08104N | 3/4 | 24 | | 158.63 |
| V10104N | 1 | 24 | | 188.77 |
| V14104N | 1-1/4 | 12 | | 309.49 |
| V17104N | 1-1/2 | 12 | | 309.49 |
| V20104N | 2 | 6 | | 438.62 |
| V27054N * ² | 2-1/2 | 4 | | 666.36 |

| Socket | Size | Ctn. Qty. | %Change | List |
|------------------------|------|-----------|---------|------------|
| V30104N | 3 | 4 | | \$1,132.00 |
| V40104N | 4 | 1 | | 1,913.02 |
| V60104N * ¹ | 6 | 1 | | 3,126.12 |

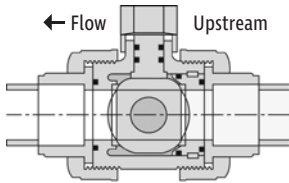
| Threaded | Size | Ctn. Qty. | %Change | List |
|----------|------|-----------|---------|----------|
| V30114N | 3 | 4 | | 1,132.00 |

| Flanged | Size | Ctn. Qty. | %Change | List |
|------------------------|-------|-----------|---------|----------|
| V07124N | 1/2 | 1 | | \$214.40 |
| V08124N | 3/4 | 1 | | 245.79 |
| V10124N | 1 | 1 | | 285.04 |
| V14124N | 1-1/4 | 1 | | 413.14 |
| V17124N | 1-1/2 | 1 | | 454.97 |
| V20124N | 2 | 1 | | 729.54 |
| V27154N | 2-1/2 | 1 | | 1,329.58 |
| V30124N | 3 | 1 | | 1,618.58 |
| V40124N | 4 | 1 | | 2,889.40 |
| V60124N * ¹ | 6 | 1 | | 4,721.31 |

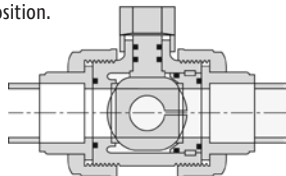
Pressure ratings are for non-shock water at 73°F.

VENTED FULL BLOCK™ TRUE UNION BALL VALVE WITH TEFLON® SEATS (For Sodium Hypochlorite Applications)

For Sodium Hypochlorite (Bleach) and other chemical process applications where entrapped fluids may cause plating, and may form a build up of gasses produced as a result of decomposing solution trapped in the ball and body of the valve in the closed position. The vented Ball Valve provides a solution for the application (see illustration).



Standard Valve - Fluid entrapped in ball and body in closed position.



With Colonial Vented Ball Valves, the ball is vented to the pressure (upstream) port allowing the interior of the ball and body to remain wetted to prevent the occurrence of decomposition and plating.

※¹ 6" Venturied: Assembled with 4" valve and 6 x 4 red couplings

※² 2-1/2" TUBVs are from the Commercial Series. Full Port. PTFE seat. 150 psi.



| Part No. | Size | Ctn. Qty. | %Change | List |
|----------|------|-----------|---------|------|
|----------|------|-----------|---------|------|

PVC w/FKM: Pricing Schedule VA

Socket & Threaded End Connectors

| | | | | |
|-----------|-------|---|--|---------|
| V07102N-V | 1/2 | 1 | | \$95.94 |
| V08102N-V | 3/4 | 1 | | 108.84 |
| V10102N-V | 1 | 1 | | 128.16 |
| V14102N-V | 1-1/4 | 1 | | 211.60 |
| V17102N-V | 1-1/2 | 1 | | 211.60 |
| V20102N-V | 2 | 1 | | 276.07 |

| | | | | |
|--------------------------------|--|---|--|--------|
| V27052N-V ※ ² 2-1/2 | | 1 | | 547.47 |
|--------------------------------|--|---|--|--------|

Socket End Connectors

| | | | | |
|----------------------------|---|---|--|----------|
| V30102N-V | 3 | 1 | | 629.76 |
| V40102N-V | 4 | 1 | | 1,049.44 |
| V60102N-V ※ ¹ 6 | | 1 | | 1,554.07 |

PVC/FKM THREADED: Pricing Schedule VA

| | | | | |
|-----------|---|---|--|----------|
| V30112N-V | 3 | 1 | | \$629.76 |
| V40112N-V | 4 | 1 | | 1,049.44 |

PVC w/FKM FLANGED: Pricing Schedule VA

Socket & Threaded End Connectors

| | | | | |
|----------------------------|-------|---|--|----------|
| V07122N-V | 1/2 | 1 | | \$143.93 |
| V08122N-V | 3/4 | 1 | | 173.72 |
| V10122N-V | 1 | 1 | | 206.02 |
| V14122N-V | 1-1/4 | 1 | | 255.26 |
| V17122N-V | 1-1/2 | 1 | | 310.27 |
| V20122N-V | 2 | 1 | | 445.71 |
| V27152N-V | 2-1/2 | 1 | | 808.39 |
| V30122N-V | 3 | 1 | | 1,040.43 |
| V40122N-V | 4 | 1 | | 1,917.33 |
| V60122N-V ※ ¹ 6 | | 1 | | 2,463.86 |

| Part No. | Size | Ctn. Qty. | %Change | List |
|----------|------|-----------|---------|------|
|----------|------|-----------|---------|------|

CPVC w/FKM: Pricing Schedule VA

Socket & Threaded End Connectors

| | | | | |
|-----------|-------|---|--|----------|
| V07104N-V | 1/2 | 1 | | \$123.93 |
| V08104N-V | 3/4 | 1 | | 170.27 |
| V10104N-V | 1 | 1 | | 204.30 |
| V14104N-V | 1-1/4 | 1 | | 323.23 |
| V17104N-V | 1-1/2 | 1 | | 323.23 |
| V20104N-V | 2 | 1 | | 469.64 |

| | | | | |
|--------------------------------|--|---|--|--------|
| V27054N-V ※ ² 2-1/2 | | 1 | | 854.94 |
|--------------------------------|--|---|--|--------|

Socket End Connectors

| | | | | |
|----------------------------|---|---|--|------------|
| V30104N-V | 3 | 1 | | \$1,170.78 |
| V40104N-V | 4 | 1 | | 1,951.83 |
| V60104N-V ※ ¹ 6 | | 1 | | 3,164.91 |

CPVC/FKM THREADED: Pricing Schedule VA

| | | | | |
|-----------|---|---|--|------------|
| V30114N-V | 3 | 1 | | \$1,170.78 |
| V40114N-V | 4 | 1 | | 1,951.83 |

CPVC w/FKM FLANGED: Pricing Schedule VA

| | | | | |
|----------------------------|-------|---|--|----------|
| V07124N-V | 1/2 | 1 | | \$229.93 |
| V08124N-V | 3/4 | 1 | | 261.33 |
| V10124N-V | 1 | 1 | | 300.52 |
| V14124N-V | 1-1/4 | 1 | | 439.00 |
| V17124N-V | 1-1/2 | 1 | | 480.87 |
| V20124N-V | 2 | 1 | | 760.58 |
| V27154N-V | 2-1/2 | 1 | | 1,391.66 |
| V30124N-V | 3 | 1 | | 1,657.40 |
| V40124N-V | 4 | 1 | | 2,928.21 |
| V60124N-V ※ ¹ 6 | | 1 | | 4,760.11 |

FULL BLOCK™ PP TRUE UNION BALL VALVE WITH TEFLON® SEATS

• Pressure rating 150 psi

Polypropylene valves offer high chemical resistance, low extractable values, and elevated temperature capabilities.* They are suitable for a wide range of applications including corrosive chemical waste, and process piping in chemical and industrial plants, water treatment facilities, laboratories, the semiconductor market, and biotechnology.

| Part No. | Size | Ctn. Qty. | %Change | List |
|----------|------|-----------|---------|------|
|----------|------|-----------|---------|------|

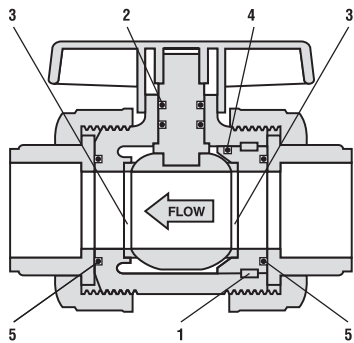
PP w/FKM O-RINGS: Pricing Schedule VA

Socket (Fusion) & Threaded End Connectors

| | | | | |
|---------|-------|----|--|---------|
| V07106N | 1/2 | 24 | | \$91.94 |
| V08106N | 3/4 | 24 | | 107.53 |
| V10106N | 1 | 24 | | 136.16 |
| V17106N | 1-1/2 | 12 | | 225.89 |
| V20106N | 2 | 6 | | 306.19 |



FULL BLOCK™ REPAIR KIT



| Number | Component | Quantity | Material |
|--------|----------------|----------|-----------|
| 1 | Locking Strip | 1 | PVDF |
| 2 | Stem O-Ring | 2 | EPDM, FKM |
| 3 | Ball Seat | 2 | TEFLON® |
| 4 | Carrier O-Ring | 1 | EPDM, FKM |
| 5 | Face O-Ring | 2 | EPDM, FKM |

| Part No. | Size | Ctn. Qty. | %Change | List |
|----------|------|-----------|---------|------|
|----------|------|-----------|---------|------|

EPDM: Pricing Schedule VB

| | | | | |
|----------|-------|---|--|--------|
| V07101NR | 1/2 | 1 | | \$9.23 |
| V08101NR | 3/4 | 1 | | 10.03 |
| V10101NR | 1 | 1 | | 17.66 |
| V14101NR | 1-1/4 | 1 | | 30.93 |
| V17101NR | 1-1/2 | 1 | | 30.93 |
| V20101NR | 2 | 1 | | 43.38 |
| V30101NR | 3 | 1 | | 56.02 |
| V40101NR | 4 | 1 | | 85.08 |

FKM: Pricing Schedule VB

| | | | | |
|----------|-------|---|--|---------|
| V07102NR | 1/2 | 1 | | \$19.86 |
| V08102NR | 3/4 | 1 | | 27.92 |
| V10102NR | 1 | 1 | | 37.16 |
| V14102NR | 1-1/4 | 1 | | 41.83 |
| V17102NR | 1-1/2 | 1 | | 41.83 |
| V20102NR | 2 | 1 | | 64.81 |
| V30102NR | 3 | 1 | | 138.34 |
| V40102NR | 4 | 1 | | 201.16 |

REPLACEMENT PARTS

| Part No. | Size | Ctn. Qty. | %Change | List |
|----------|------|-----------|---------|------|
|----------|------|-----------|---------|------|

REPLACEMENT HANDLES FOR FULL BLOCK™ TRUE UNION BALL VALVES

| | | | | |
|---------------------|-------|---|--|--------|
| Pricing Schedule VB | | | | |
| V07101K2 | 1/2 | 1 | | \$4.20 |
| V08101K2 | 3/4 | 1 | | 6.42 |
| V10101K2 | 1 | 1 | | 8.44 |
| V14101K2 | 1-1/4 | 1 | | 12.66 |
| V17101K2 | 1-1/2 | 1 | | 12.66 |
| V20101K2 | 2 | 1 | | 16.92 |
| V30101K | 3 | 1 | | 33.76 |
| V40101K | 4 | 1 | | 44.11 |

OTHER AVAILABLE REPLACEMENT PARTS

Ball, Stem

Pressure ratings are for non-shock water at 73°F.

PLASTIC LOCKOUT FOR INDUSTRIAL AND COMMERCIAL TRUE UNION BALL VALVES, AND SUPER C BALL VALVES

| Part No. | Sizing for Industrial Full Block Series & Commercial Series TUBV | Sizing for Super C & 2-Piece Compact Ball Valves | Ctn. Qty. | % Change | List |
|---------------------|--|--|-----------|----------|----------|
| Pricing Schedule VB | | | | | |
| V481 | Fits Size 1/2 - 1" TUBV | Fits Size 1/2 - 1" Valve | 1 | 20% | \$122.75 |
| V482 | Fits Size 1-1/4 - 2" TUBV | Fits Size 1-1/4 - 2" Valve | 1 | 20% | 167.86 |
| V483 | Fits Size 2-1/2 - 4" TUBV | Fits Size 2-1/2 & 3" Valve | 1 | 20% | 205.76 |



(Shown on TUBV)*

Note: Padlock not included

END CONNECTORS AND UNION NUTS FOR FULL BLOCK INDUSTRIAL TUBV SERIES

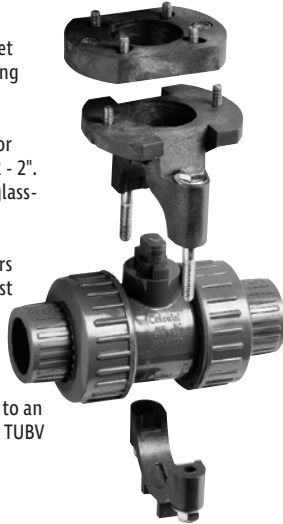
| Part No. | Size | Ctn. Qty. | %Change | List | Part No. | Size | Ctn. Qty. | %Change | List | Part No. | Size | Ctn. Qty. | %Change | List |
|---|-------|-----------|---------|---------|---|-------|-----------|---------|---------|--|---------------|-----------|---------|---------|
| Socket End Connector - PVC: Pricing Schedule VB | | | | | FIPT End Connector - PVC: Pricing Schedule VB | | | | | Union Nut - PVC: Pricing Schedule VB | | | | |
| V07101Z | 1/2 | 1 | | \$5.23 | V07111Z | 1/2 | 1 | | \$5.23 | V07101Y | 1/2 | 1 | | \$10.67 |
| V08101Z | 3/4 | 1 | | 6.53 | V08111Z | 3/4 | 1 | | 6.53 | V08101Y | 3/4 | 1 | | 14.87 |
| V10101Z | 1 | 1 | | 8.22 | V10111Z | 1 | 1 | | 8.22 | V10101Y | 1 | 1 | | 19.09 |
| V14101Z | 1-1/4 | 1 | | 13.36 | V14111Z | 1-1/4 | 1 | | 13.36 | V17101Y | 1-1/4 & 1-1/2 | 1 | | 31.73 |
| V17101Z | 1-1/2 | 1 | | 13.36 | V17111Z | 1-1/2 | 1 | | 13.36 | V20101Y | 2 | 1 | | 52.83 |
| V20101Z | 2 | 1 | | 14.66 | V20111Z | 2 | 1 | | 14.66 | V30101Y | 3 | 1 | | 56.94 |
| V30101Z | 3 | 1 | | 40.52 | V30111Z | 3 | 1 | | 40.52 | V40101Y | 4 | 1 | | 89.09 |
| V40101Z | 4 | 1 | | 52.19 | V40111Z | 4 | 1 | | 52.19 | | | | | |
| Socket End Connector - CPVC: Pricing Schedule VB | | | | | FIPT End Connector - CPVC: Pricing Schedule VB | | | | | Union Nut - CPVC: Pricing Schedule VB | | | | |
| V07104Z | 1/2 | 1 | | \$10.43 | V07114Z | 1/2 | 1 | | \$10.43 | V07104Y | 1/2 | 1 | | \$26.52 |
| V08104Z | 3/4 | 1 | | 13.07 | V08114Z | 3/4 | 1 | | 13.07 | V08104Y | 3/4 | 1 | | 37.16 |
| V10104Z | 1 | 1 | | 16.48 | V10114Z | 1 | 1 | | 16.48 | V10104Y | 1 | 1 | | 47.81 |
| V14104Z | 1-1/4 | 1 | | 26.70 | V14114Z | 1-1/4 | 1 | | 26.70 | V17104Y | 1-1/4 & 1-1/2 | 1 | | 47.63 |
| V17104Z | 1-1/2 | 1 | | 26.70 | V17114Z | 1-1/2 | 1 | | 26.70 | V20104Y | 2 | 1 | | 53.20 |
| V20104Z | 2 | 1 | | 29.33 | V20114Z | 2 | 1 | | 29.33 | V30104Y | 3 | 1 | | 134.49 |
| V30104Z | 3 | 1 | | 55.49 | V30114Z | 3 | 1 | | 55.49 | V40104Y | 4 | 1 | | 222.71 |
| V40104Z | 4 | 1 | | 90.90 | V40114Z | 4 | 1 | | 90.90 | | | | | |

MOUNTING KIT FOR 1/2" - 2" FULL BLOCK TRUE UNION BALL VALVE SERIES

Plastic Bracket:

Upper & lower bracket sections and mounting plate. SS Fasteners.

- Custom designed for Full Block TUBV 1/2 - 2".
- Molded from fiberglass-filled PVC for extra strength
- Includes SS fasteners (Stem coupling must be ordered separately)
- ISO 5211 mounting pattern
- Can be retro-fitted to an installed Full Block TUBV

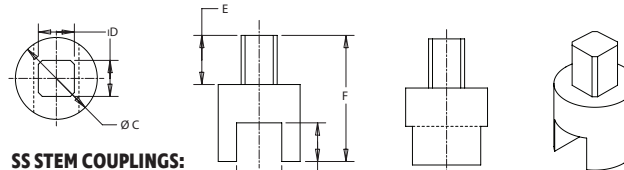


BRACKET: Pricing Schedule VB

| Part No. | For Valve Size | ISO Pattern | % Change | List |
|----------|----------------|-------------|----------|---------|
| V07501A | 1/2 | F04 / F05 | | \$50.70 |
| V08501A | 3/4 | F04 / F05 | | 55.31 |
| V10501A | 1 F04 / F05 | | 58.39 | |

BRACKET: Pricing Schedule VB

| Part No. | For Valve Size | ISO Pattern | % Change | List |
|----------|----------------|-------------|----------|---------|
| V17501A | 1-1/2 & 1-1/4 | F05 | | \$64.52 |
| V20501A | 2 | F05 | | 69.12 |



SS STEM COUPLINGS:

Pricing Schedule VB

| SIZE | A | B | C | D | D (mm) | E | F | ISO | PART NUMBER | % Change | List |
|----------------|------|------|------|------|--------|------|-------|-----|-------------|----------|---------|
| 1/2" | .320 | .335 | 1.00 | .430 | 11 | .500 | 1.440 | F04 | V07502A | 10% | \$72.20 |
| 3/4" | .380 | .390 | 1.00 | .430 | 11 | .500 | 1.410 | F04 | V08502A | 10% | 72.20 |
| 1" | .440 | .450 | 1.00 | .430 | 11 | .500 | 1.490 | F04 | V10502A | 10% | 74.43 |
| 1-1/2", 1-1/4" | .560 | .570 | 1.25 | .550 | 14 | .629 | 1.740 | F05 | V17502A | 10% | 76.03 |
| 1-1/2", 1-1/4" | .560 | .570 | 1.25 | .430 | 11 | .500 | 1.490 | F04 | V17502A-F04 | 10% | 76.03 |
| 2" | .690 | .575 | 1.25 | .550 | 14 | .629 | 1.920 | F05 | V20502A | 10% | 76.03 |
| 2" | .690 | .575 | 1.25 | .430 | 11 | .500 | 1.65 | F04 | V20502A-F04 | 10% | 76.03 |

BRACKET FOR 3" & 4" FULL BLOCK TRUE UNION BALL VALVES



(Shown mounted on valve - sold separately)

Molded from high impact PVC material, this bracket features a mounting pad with a PCD of 102mm/4.02" (ISO 5211 F10). The valve and mounting bracket are ordered separately. The bracket can be field-mounted on a Colonial Full Block TUBV (produced after 2013). It is secured to the valve body with anchoring fasteners (included).

The PVC mounting kit is suitable for use on both PVC and CPVC valves, providing that the atmospheric temperature (on the exterior of the valve) does not exceed 120 degrees. It is designed only for horizontal installation (valve stem / actuator facing UP), not for vertical (valve stem/actuator facing to the side) applications. Maximum allowable weight for actuator: 25 lbs.

17mm square stainless steel stem coupling (K11033) is sold separately.

Order valve, bracket, and stem coupling separately.

Torque Values For Full Block True Union Ball Valves

| Valve Size | Opening Torque (In-Lbs) | | | | |
|------------|-------------------------|--------|-----|----|-------|
| 1/2" | 16 | 1-1/4" | 110 | 3" | 600 |
| 3/4" | 35 | 1-1/2" | 110 | 4" | 1,000 |
| 1" | 60 | 2" | 180 | | |

Pricing Schedule VB

| Part No. | Description | % Change | List Price |
|----------|--------------------------|----------|------------|
| V30501P | Bracket* to fit 3" Valve | | \$127.07 |
| V40501P | Bracket* to fit 4" Valve | | 127.07 |
| K11033 | Stem Coupling 17mm SQ SS | 10% | 162.46 |

*Bracket includes SS fasteners to anchor bracket to body, but does not include fasteners to mount the bracket to the actuator.

Pressure ratings are for non-shock water at 73°F.

ACTUATED VALVES



Submittals and wiring diagrams for actuators are available at www.colonialengineering.com or call customer service.



See page 8 for the part numbering format for Actuated Valve Assemblies.

Colonial offers pneumatic or electric actuated True Union Ball Valves and Butterfly Valves. Mounting Kits, Valves, Actuators and Accessories can be sold separately, or as complete, tested assemblies. Colonial offers actuators that are sized to fit Colonial Full Block TUBVs in sizes ranging from 1/2" - 4", and (Direct Mount) Butterfly Valves 2" - 12".

Please contact customer service with your request for quotation. Required information for Actuated Valve assembly quotations:

Electric Actuator

115 VAC or 24 VAC or 24VDC
On/Off Electric or Fail-safe?
4-20 mA positioner needed? (Modulating)
Desired cycle time for 1/4 turn rotation?

Pneumatic Actuator

- Double Acting or Spring Return (Fail-safe)?
- Solenoid (pilot valve) needed?
- 1/4" NPT Air Connections?
- Remote Position Indicators or other accessories needed?
- Speed muffler (Needle-valve) required to decrease cycle-time?

Electric Actuator features:

- Housing constructed of self-extinguishing, corrosion-resistant technopolymer material.
- Stainless Steel fasteners.
- Electronic Circuit adjusts the motor speed depending on the mechanical charge variations to keep the drive cycle time consistent.
- Electronic torque limitation
- Built-in heater activates when temperature in the housing drops below 77° F.
- Battery activated Fail-safe accessory available.
- Available 24VAC/VDC or 115/240 VAC

Pneumatic Actuator features:

- Namur VDI/VDE 3845 and ISO 5211 dimensions on all sizes. No special blocks are required to mount solenoid valves, limit switches or positioners
- Air-to-Air and Spring Return (Fail-safe) models available

Complete technical brochures (PDFs) are available at www.colonialengineering.com

Electric Actuator Sizing - Table A

| Ball Valve | | Butterfly Valve | |
|------------|--------------|-----------------|----------|
| Size | Actuator | Size | Actuator |
| 1/2" | VB010 or 015 | | |
| 3/4" | VB010 or 015 | | |
| 1" | VB010 or 015 | | |
| 1-1/4" | VB015* | | |
| 1-1/2" | VB015* | | |
| 2" | VB030 | 2" | VB030 |
| 3" | VB110 | 3" | VB060 |
| 4" | VB190 | 4" | VB060 |
| | | 6" | VB110 |
| | | 8" | VB270 |
| | | 10" | VB350 |
| | | 12" | NL4.4K |

Pneumatic Actuator Sizing - Double Acting - Table B

| Ball Valve | | Butterfly Valve | |
|------------|----------|-----------------|----------|
| Size | Actuator | Size | Actuator |
| 1/2" | DA52 | | |
| 3/4" | DA52 | | |
| 1" | DA52 | | |
| 1-1/4" | DA63 | | |
| 1-1/2" | DA63 | | |
| 2" | DA63 | 2"* | DA63 |
| 3" | DA100 | 3" | DA63 |
| 4" | DA100 | 4"*1 | DA75 |
| | | 6" | DA85 |
| | | 8" | DA115 |
| | | 10" | DA125 |
| | | 12" | DA160 |

* requires 14x11 adapter
*1 requires 17x14 adapter

* Use V17502A-F04 Stem-Coupling

Pneumatic Actuator Sizing - Spring Return

| Ball Valve | | Butterfly Valve | |
|------------|----------|-----------------|----------|
| Size | Actuator | Size | Actuator |
| 1/2" | SR52 | | |
| 3/4" | SR52 | | |
| 1" | SR52 | | |
| 1-1/4" | SR63 | | |
| 1-1/2" | SR63 | | |
| 2" | SR75 | 2"* | SR63 |
| 3" | SR100 | 3"*1 | SR75 |
| 4" | N/A | 4"*1 | SR100 |
| | | 6"*2 | SR115 |
| | | 8"*3 | SR140 |
| | | 10" | N/A |
| | | 12" | N/A |

* requires 14x11 adapter
*1 requires 17x14 adapter
*1 requires 22x17 adapter
*1 requires 27x22 adapter

Pressure ratings are for non-shock water at 73°F.

PART NUMBERING FORMAT FOR ACTUATED VALVE ASSEMBLIES: SUFFIX IN THE ASSEMBLY PART NUMBER WILL INDICATE WHICH TYPE OF ACTUATOR IS TO BE USED IN THE ASSEMBLY

For Electric Assemblies

Ball Valve: Replace "N" at the end of the ball valve part number with "E" and the remaining code for the proper actuator.

Butterfly Valve: Replace "ND" at the end of the Direct-mount Butterfly Valve part number with "E" and the remaining code for the proper actuator.

| ACTUATOR Suffix | 24 VAC/VDC On/Off | 115-240 VAC On/Off | 24V Fail-safe | 115-240V Fail-safe | 24V Modulating | 115-240V Modulating |
|-----------------|-------------------|--------------------|---------------|--------------------|----------------|---------------------|
| E | 2 | 3 | 12 | 13 | 22 | 23 |

Table A on page 7 shows the Electric Actuator model that is paired with the valve type and size

For Pneumatic Assemblies

Ball Valve: Replace "N" at the end of the ball valve part number with "DA" for Double-Acting, or "SR" for Spring Return, and the remaining code for the proper actuator.

Butterfly Valve: Replace "ND" at the end of the Direct-mount Butterfly Valve part number with "DA" for Double-Acting, or "SR" for Spring Return, and the remaining code for the proper actuator

Table B on page 7 shows the Pneumatic Actuator model that is paired with the valve type and size

USE THE PART NUMBERS IN THE TABLES BELOW TO RECEIVE THE PVC/EPDM VALVE, BRACKET, AND ACTUATOR, ASSEMBLED AND TESTED.

Ball Valve Actuated Assembly Part Numbers

Contact Customer Service for Pricing

| TABLE C | | | | |
|---------|--|--|--|--|
| Size | Description | Description | Description | Description |
| | True Union Ball Valve PVC/EPDM with 24VAC/VDC Actuator | True Union Ball Valve PVC/EPDM with 115-240 VAC Actuator | True Union Ball Valve PVC/EPDM with Double-Acting Pneumatic Actuator | True Union Ball Valve PVC/EPDM with Spring-Return Pneumatic Actuator |
| | Part Number | Part Number | Part Number | Part Number |
| 1/2 | V07101E2 | V07101E3 | V07101DA52 | V07101SR52 |
| 3/4 | V08101E2 | V08101E3 | V08101DA52 | V08101SR52 |
| 1 | V10101E2 | V10101E3 | V10101DA52 | V10101SR52 |
| 1-1/4 | V14101E2 | V14101E3 | V14101DA63 | V14101SR63 |
| 1-1/2 | V17101E2 | V17101E3 | V17101DA63 | V17101SR63 |
| 2 | V20101E2 | V20101E3 | V20101DA63 | V20101SR63 |
| 3 | V30101E2 | V30101E3 | V30101DA100 | V30101SR100 |
| 4 | V40101E2 | V40101E3 | V40101DA100 | N/A |

Butterfly Valve Assembly Part Numbers

Contact Customer Service for Pricing

| Size | Description | Description | Description | Description | Description |
|------|---|---|--|---|--|
| | Butterfly Valve PVC/EPDM with 24VAC/VDC ON/OFF Actuator | Butterfly Valve PVC/EPDM with 115-240 VAC ON/OFF Actuator | Butterfly Valve PVC/EPDM with 115-240 VAC Fail-safe Actuator | Butterfly Valve PVC/EPDM with 115-240 VAC Modulating Actuator | Butterfly Valve PVC/EPDM with Double-Acting Pneumatic Actuator |
| | Part Number | Part Number | Part Number | Part Number | Part Number |
| 2 | V20411E2 | V20411E3 | V20411E13 | V20411E23 | V20411DA63 |
| 3 | V30411E2 | V30411E3 | V30411E13 | V30411E23 | V30411DA63 |
| 4 | V40411E2 | V40411E3 | V40411E13 | V40411E23 | V40411DA75 |
| 6 | V60411E2 | V60411E3 | V60411E13 | V60411E23 | V60411DA85 |
| 8 | V80411E2 | V80411E3 | V80411E13 | V80411E23 | V80411DA115 |
| 10 | V100411E2 | V100411E3 | V100411E13 | V100411E23 | V100411DA125 |
| 12 | V120411E2 | V120411E3 | V120411E13 | V120411E23 | V120411DA160 |

For other combinations of valve + actuator, use the part numbering system described on this page.

Example 1: V20104E13 = 2" True Union Ball Valve CPVC/Viton with a 115-240 VAC On-Off Actuator with Battery Backup Failsafe

Example 3: V10102E2 = 1" True Union Ball Valve, PVC/Viton with a 24VAC/VDC On/Off Actuator

Example 3: V60411E3 = 6" Butterfly Valve PVC/EPDM with a 115-240 VAC On/Off Actuator

Example 4: V40411SR100 = 4" Butterfly Valve PVC/EPDM with Spring-Return Pneumatic Actuator

Example 5: V80411E1323 = 8" Butterfly Valve PVC/EPDM with 115 VAC Actuator with 4-20mA positioner, Battery Backup Failsafe, and Manual Override

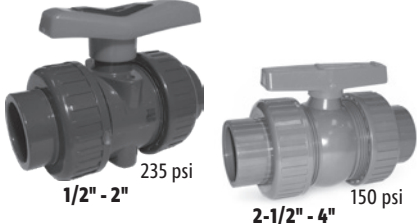
Pressure ratings are for non-shock water at 73°F.

ACTUATORS

| Part No | Description | List | WGT (lbs) | Part No | List | WGT (lbs) | Part No | List | WGT (lbs) |
|--|--------------------------------------|------|-----------|---|---|-----------|--|------|-----------|
| Electric Actuators: Pricing Schedule VB | | | | Pneumatic Double-Acting: | | | Pneumatic Spring-Return (Fail Safe) | | |
| VB010-002 | 24 VAC/VDC On/Off ACTUATOR | * | 2.6 | DA52 | * | 2.47 | SR52 | * | 2.62 |
| VB010-003 | 115/240 VAC On/Off ACTUATOR | * | 2.6 | DA63 | * | 3.26 | SR63 | * | 3.97 |
| VB015-002 | 24 VAC/VDC On/Off ACTUATOR | * | 3.09 | DA75 | * | 5.51 | SR75 | * | 6.94 |
| VB015-003 | 115/240 VAC On/Off ACTUATOR | * | 3.09 | DA85 | * | 7.39 | SR85 | * | 9.37 |
| VB030-002 | 24 VAC/VDC On/Off ACTUATOR | * | 5.07 | DA100 | * | 11.02 | SR100 | * | 14.4 |
| VB030-003 | 115/240 VAC On/Off ACTUATOR | * | 5.07 | DA115 | * | 17.75 | SR115 | * | 23.92 |
| VB030-012 | 24 VAC/VDC On/Off ACT W/ FAIL-SAFE | * | 5.07 | DA125 | * | 22.09 | SR125 | * | 26.76 |
| VB030-013 | 115/240 VAC On/Off ACT W/ FAIL-SAFE | * | 5.07 | DA160 | * | 43.21 | SR140 | * | 45.28 |
| VB030-022 | 24 VAC/VDC On/Off ACT W/ POSITIONER | * | 5.07 | | | | | | |
| VB030-023 | 115/240 VAC On/Off ACT W/ POSITIONER | * | 5.07 | | | | | | |
| VB060-002 | 24 VAC/VDC On/Off ACTUATOR | * | 7.28 | Optional Accessories for Pneumatic Actuators: Pricing Schedule VB | | | | | |
| VB060-003 | 115/240 VAC On/Off ACTUATOR | * | 7.28 | Solenoid (4-way Single Solenoid Namur Valve): | | | | | |
| VB060-012 | 24 VAC/VDC On/Off ACT W/ FAIL-SAFE | * | 7.28 | NMR1-C1 | 115 VAC, 1/4" NPT Ports | * | 0.45 | | |
| VB060-013 | 115/240 VAC On/Off ACT W/ FAIL-SAFE | * | 7.28 | NMR1-C2 | 24VAC, 1/4" NPT Ports | * | 0.45 | | |
| VB060-022 | 24 VAC/VDC On/Off ACT W/ POSITIONER | * | 7.28 | Limit Switch IP67, Nema 4, 4x, CSA Approved, with SS Namur bracket | | | | | |
| VB060-023 | 115/240 VAC On/Off ACT W/ POSITIONER | * | 7.28 | LS2-B | 2 SPDT 5A 125-250VAC, 3A 24VDC | * | 1.00 | | |
| VB110-002 | 24 VAC/VDC On/Off ACTUATOR | * | 10.8 | Electromagnetic Positioner - 4-20mA, IP 66 Enclosure, with Namur bracket | | | | | |
| VB110-003 | 115/240 VAC On/Off ACTUATOR | * | 10.8 | ENP-B | | * | 3.1 | | |
| VB110-012 | 24 VAC/VDC On/Off ACT W/ FAIL-SAFE | * | 10.8 | ENP-B-F | With 4-20mA analog feedback control | * | 3.1 | | |
| VB110-013 | 115/240 VAC On/Off ACT W/ FAIL-SAFE | * | 10.8 | Speed Muffler: "Meter-out" type, to decrease cycle time/avoid water-hammer | | | | | |
| VB110-022 | 24 VAC/VDC On/Off ACT W/ POSITIONER | * | 10.8 | VSM02 | Mounts on solenoid with 1/4" port | * | 0.2 | | |
| VB110-023 | 115/240 VAC On/Off ACT W/ POSITIONER | * | 10.8 | VSM01E | Elbow Type, mounts directly on actuator with 1/8" port, accepts 1/4" tube. Use with DA or SR 52,63,75 & 85 | * | 0.2 | | |
| VB190-002 | 24 VAC/VDC On/Off ACTUATOR | * | 10.8 | VSM02E | Elbow Type, mounts directly on actuator with 1/4" port, accepts 1/4" tube. Use with DA or SR 100,115,125, 140 & 160 | * | 0.2 | | |
| VB190-003 | 115/240 VAC On/Off ACTUATOR | * | 10.8 | 14X11SSQ | 14 x 11mm Single Square Adapter SS | * | 0.05 | | |
| VB190-012 | 24 VAC/VDC On/Off ACT W/ FAIL-SAFE | * | 10.8 | 17X14SSQ | 17 x 14mm Single Square Adapter SS | * | 0.08 | | |
| VB190-013 | 115/240 VAC On/Off ACT W/ FAIL-SAFE | * | 10.8 | 22X17SSQ | 22 x 17mm Single Square Adapter SS | * | 0.1 | | |
| VB190-022 | 24 VAC/VDC On/Off ACT W/ POSITIONER | * | 10.8 | 27X22SSQ | 27 x 22mm Single Square Adapter SS | * | 0.125 | | |
| VB190-023 | 115/240 VAC On/Off ACT W/ POSITIONER | * | 10.8 | | | | | | |
| VB270-002 | 24 VAC/VDC On/Off ACTUATOR | * | 13.3 | | | | | | |
| VB270-003 | 115/240 VAC On/Off ACTUATOR | * | 13.3 | | | | | | |
| VB270-012 | 24 VAC/VDC On/Off ACT W/ FAIL-SAFE | * | 13.3 | | | | | | |
| VB270-013 | 115/240 VAC On/Off ACT W/ FAIL-SAFE | * | 13.3 | | | | | | |
| VB270-022 | 24 VAC/VDC On/Off ACT W/ POSITIONER | * | 13.3 | | | | | | |
| VB270-023 | 115/240 VAC On/Off ACT W/ POSITIONER | * | 13.3 | | | | | | |
| VB350-002 | 24 VAC/VDC On/Off ACTUATOR | * | 13.3 | | | | | | |
| VB350-003 | 115/240 VAC On/Off ACTUATOR | * | 13.3 | | | | | | |
| VB350-012 | 24 VAC/VDC On/Off ACT W/ FAIL-SAFE | * | 13.3 | | | | | | |
| VB350-013 | 115/240 VAC On/Off ACT W/ FAIL-SAFE | * | 13.3 | | | | | | |
| VB350-022 | 24 VAC/VDC On/Off ACT W/ POSITIONER | * | 13.3 | | | | | | |
| VB350-023 | 115/240 VAC On/Off ACT W/ POSITIONER | * | 13.3 | | | | | | |

* Call for current List Price.

COMMERCIAL TRUE UNION BALL VALVE WITH PTFE SEATS

|  <ul style="list-style-type: none"> • PTFE Seats • Pressure rating per ASTM F-1970 • Schedule 80 Sockets and NPT Threads • Blocked Carrier • Replaceable Handle • Smooth Turning • Adjustable Seat • Sizes 1-1/2 & 2-1/2" are Full Port, Sch 80. The remaining sizes are standard port. • Certified to NSF/ANSI 61 and 372. <p>Note: 3/8" and 1/2" sizes are available (1/2" valves pre-assembled with reducer bushings). Contact Customer Service for part number and pricing.</p> <p>See page 22 for details on O-Ring and Seat Materials</p> | <table border="1" style="width: 100%; border-collapse: collapse;"> <thead> <tr> <th>Part No.</th> <th>Size</th> <th>Ctn. Qty.</th> <th>%Change</th> <th>List</th> </tr> </thead> <tbody> <tr> <td colspan="5">PVC w/EPDM O-Rings: Pricing Schedule VA</td> </tr> <tr> <td colspan="5">Socket & Threaded End Connectors</td> </tr> <tr> <td>V07050N</td> <td>1/2</td> <td>48</td> <td></td> <td>\$38.64</td> </tr> <tr> <td>V08050N</td> <td>3/4</td> <td>36</td> <td></td> <td>49.59</td> </tr> <tr> <td>V10050N</td> <td>1</td> <td>24</td> <td></td> <td>65.38</td> </tr> <tr> <td>V14050N</td> <td>1-1/4</td> <td>24</td> <td></td> <td>99.67</td> </tr> <tr> <td>V17050N</td> <td>1-1/2</td> <td>24</td> <td></td> <td>133.19</td> </tr> <tr> <td>V20050N</td> <td>2</td> <td>6</td> <td></td> <td>175.99</td> </tr> <tr> <td>V27050N</td> <td>2-1/2</td> <td>4</td> <td></td> <td>314.11</td> </tr> </tbody> </table> | Part No. | Size | Ctn. Qty. | %Change | List | PVC w/EPDM O-Rings: Pricing Schedule VA | | | | | Socket & Threaded End Connectors | | | | | V07050N | 1/2 | 48 | | \$38.64 | V08050N | 3/4 | 36 | | 49.59 | V10050N | 1 | 24 | | 65.38 | V14050N | 1-1/4 | 24 | | 99.67 | V17050N | 1-1/2 | 24 | | 133.19 | V20050N | 2 | 6 | | 175.99 | V27050N | 2-1/2 | 4 | | 314.11 | <table border="1" style="width: 100%; border-collapse: collapse;"> <thead> <tr> <th>Part No.</th> <th>Size</th> <th>Ctn. Qty.</th> <th>%Change</th> <th>List</th> </tr> </thead> <tbody> <tr> <td colspan="5">CPVC w/EPDM O-RINGS: Pricing Schedule VA</td> </tr> <tr> <td colspan="5">Socket & Threaded End Connectors</td> </tr> <tr> <td>V27053N</td> <td>2-1/2</td> <td>4</td> <td></td> <td>\$631.57</td> </tr> </tbody> </table> | Part No. | Size | Ctn. Qty. | %Change | List | CPVC w/EPDM O-RINGS: Pricing Schedule VA | | | | | Socket & Threaded End Connectors | | | | | V27053N | 2-1/2 | 4 | | \$631.57 |
|--|--|--|-----------|-----------|---------|---|--|--|--|--|---|---|-----|---|--|---------|---------|-----|----|----------|---|----------|------|-----------|---------|-------|--|-------|----|--|-------|---|-------|----|--|-------|---------|-------|----|--|----------|---------|-------|---|--|--------|---------|-------|---|--|--------|--|----------|------|-----------|---------|------|---|--|--|--|--|---|--|--|--|--|---------|-------|---|--|----------|
| | Part No. | Size | Ctn. Qty. | %Change | List | | | | | | | | | | | | | | | | | | | | | | | | | | | | | | | | | | | | | | | | | | | | | | | | | | | | | | | | | | | | | | | | | | | |
| | PVC w/EPDM O-Rings: Pricing Schedule VA | | | | | | | | | | | | | | | | | | | | | | | | | | | | | | | | | | | | | | | | | | | | | | | | | | | | | | | | | | | | | | | | | | | | | | | |
| | Socket & Threaded End Connectors | | | | | | | | | | | | | | | | | | | | | | | | | | | | | | | | | | | | | | | | | | | | | | | | | | | | | | | | | | | | | | | | | | | | | | | |
| V07050N | 1/2 | 48 | | \$38.64 | | | | | | | | | | | | | | | | | | | | | | | | | | | | | | | | | | | | | | | | | | | | | | | | | | | | | | | | | | | | | | | | | | | | |
| V08050N | 3/4 | 36 | | 49.59 | | | | | | | | | | | | | | | | | | | | | | | | | | | | | | | | | | | | | | | | | | | | | | | | | | | | | | | | | | | | | | | | | | | | |
| V10050N | 1 | 24 | | 65.38 | | | | | | | | | | | | | | | | | | | | | | | | | | | | | | | | | | | | | | | | | | | | | | | | | | | | | | | | | | | | | | | | | | | | |
| V14050N | 1-1/4 | 24 | | 99.67 | | | | | | | | | | | | | | | | | | | | | | | | | | | | | | | | | | | | | | | | | | | | | | | | | | | | | | | | | | | | | | | | | | | | |
| V17050N | 1-1/2 | 24 | | 133.19 | | | | | | | | | | | | | | | | | | | | | | | | | | | | | | | | | | | | | | | | | | | | | | | | | | | | | | | | | | | | | | | | | | | | |
| V20050N | 2 | 6 | | 175.99 | | | | | | | | | | | | | | | | | | | | | | | | | | | | | | | | | | | | | | | | | | | | | | | | | | | | | | | | | | | | | | | | | | | | |
| V27050N | 2-1/2 | 4 | | 314.11 | | | | | | | | | | | | | | | | | | | | | | | | | | | | | | | | | | | | | | | | | | | | | | | | | | | | | | | | | | | | | | | | | | | | |
| Part No. | Size | Ctn. Qty. | %Change | List | | | | | | | | | | | | | | | | | | | | | | | | | | | | | | | | | | | | | | | | | | | | | | | | | | | | | | | | | | | | | | | | | | | | |
| CPVC w/EPDM O-RINGS: Pricing Schedule VA | | | | | | | | | | | | | | | | | | | | | | | | | | | | | | | | | | | | | | | | | | | | | | | | | | | | | | | | | | | | | | | | | | | | | | | | |
| Socket & Threaded End Connectors | | | | | | | | | | | | | | | | | | | | | | | | | | | | | | | | | | | | | | | | | | | | | | | | | | | | | | | | | | | | | | | | | | | | | | | | |
| V27053N | 2-1/2 | 4 | | \$631.57 | | | | | | | | | | | | | | | | | | | | | | | | | | | | | | | | | | | | | | | | | | | | | | | | | | | | | | | | | | | | | | | | | | | | |
| <table border="1" style="width: 100%; border-collapse: collapse;"> <thead> <tr> <th>Part No.</th> <th>Size</th> <th>Ctn. Qty.</th> <th>%Change</th> <th>List</th> </tr> </thead> <tbody> <tr> <td colspan="5">PVC w/FKM O-RINGS: Pricing Schedule VA</td> </tr> <tr> <td colspan="5">Socket & Threaded End Connectors</td> </tr> <tr> <td>V27052N</td> <td>2-1/2</td> <td>4</td> <td></td> <td>\$449.91</td> </tr> </tbody> </table> | Part No. | Size | Ctn. Qty. | %Change | List | PVC w/FKM O-RINGS: Pricing Schedule VA | | | | | Socket & Threaded End Connectors | | | | | V27052N | 2-1/2 | 4 | | \$449.91 | <table border="1" style="width: 100%; border-collapse: collapse;"> <thead> <tr> <th>Part No.</th> <th>Size</th> <th>Ctn. Qty.</th> <th>%Change</th> <th>List</th> </tr> </thead> <tbody> <tr> <td colspan="5">CPVC w/FKM O-RINGS: Pricing Schedule VA</td> </tr> <tr> <td colspan="5">Socket & Threaded End Connectors</td> </tr> <tr> <td>V27054N</td> <td>2-1/2</td> <td>4</td> <td></td> <td>\$666.36</td> </tr> </tbody> </table> | Part No. | Size | Ctn. Qty. | %Change | List | CPVC w/FKM O-RINGS: Pricing Schedule VA | | | | | Socket & Threaded End Connectors | | | | | V27054N | 2-1/2 | 4 | | \$666.36 | | | | | | | | | | | | | | | | | | | | | | | | | | | | | | | |
| Part No. | Size | Ctn. Qty. | %Change | List | | | | | | | | | | | | | | | | | | | | | | | | | | | | | | | | | | | | | | | | | | | | | | | | | | | | | | | | | | | | | | | | | | | | |
| PVC w/FKM O-RINGS: Pricing Schedule VA | | | | | | | | | | | | | | | | | | | | | | | | | | | | | | | | | | | | | | | | | | | | | | | | | | | | | | | | | | | | | | | | | | | | | | | | |
| Socket & Threaded End Connectors | | | | | | | | | | | | | | | | | | | | | | | | | | | | | | | | | | | | | | | | | | | | | | | | | | | | | | | | | | | | | | | | | | | | | | | | |
| V27052N | 2-1/2 | 4 | | \$449.91 | | | | | | | | | | | | | | | | | | | | | | | | | | | | | | | | | | | | | | | | | | | | | | | | | | | | | | | | | | | | | | | | | | | | |
| Part No. | Size | Ctn. Qty. | %Change | List | | | | | | | | | | | | | | | | | | | | | | | | | | | | | | | | | | | | | | | | | | | | | | | | | | | | | | | | | | | | | | | | | | | | |
| CPVC w/FKM O-RINGS: Pricing Schedule VA | | | | | | | | | | | | | | | | | | | | | | | | | | | | | | | | | | | | | | | | | | | | | | | | | | | | | | | | | | | | | | | | | | | | | | | | |
| Socket & Threaded End Connectors | | | | | | | | | | | | | | | | | | | | | | | | | | | | | | | | | | | | | | | | | | | | | | | | | | | | | | | | | | | | | | | | | | | | | | | | |
| V27054N | 2-1/2 | 4 | | \$666.36 | | | | | | | | | | | | | | | | | | | | | | | | | | | | | | | | | | | | | | | | | | | | | | | | | | | | | | | | | | | | | | | | | | | | |
| <p style="text-align: center;">For 3 & 4" Full Port, Sch 80 TUBVs, see page 4</p> <p style="text-align: center;">For 3 & 4" Standard Port PVC TUBVs, See the 801 Series on Page 10</p> | <table border="1" style="width: 100%; border-collapse: collapse;"> <thead> <tr> <th colspan="5">COML TUBV Series Replacement Handles:</th> </tr> <tr> <th colspan="5">Pricing Schedule VB</th> </tr> </thead> <tbody> <tr> <td>V07050K</td> <td>1/2</td> <td>1</td> <td></td> <td>\$4.97</td> </tr> <tr> <td>V08050K</td> <td>3/4</td> <td>1</td> <td></td> <td>6.40</td> </tr> <tr> <td>V10050K</td> <td>1</td> <td>1</td> <td></td> <td>7.83</td> </tr> <tr> <td>V14050K</td> <td>1-1/4</td> <td>1</td> <td></td> <td>12.10</td> </tr> <tr> <td>V17050K</td> <td>1-1/2</td> <td>1</td> <td></td> <td>12.80</td> </tr> <tr> <td>V20050K</td> <td>2</td> <td>1</td> <td></td> <td>17.07</td> </tr> <tr> <td>V27050K</td> <td>2-1/2</td> <td>1</td> <td></td> <td>21.33</td> </tr> <tr> <td>V30050K</td> <td>3</td> <td>1</td> <td></td> <td>22.42</td> </tr> <tr> <td>V40050K</td> <td>4</td> <td>1</td> <td></td> <td>28.81</td> </tr> </tbody> </table> | COML TUBV Series Replacement Handles: | | | | | Pricing Schedule VB | | | | | V07050K | 1/2 | 1 | | \$4.97 | V08050K | 3/4 | 1 | | 6.40 | V10050K | 1 | 1 | | 7.83 | V14050K | 1-1/4 | 1 | | 12.10 | V17050K | 1-1/2 | 1 | | 12.80 | V20050K | 2 | 1 | | 17.07 | V27050K | 2-1/2 | 1 | | 21.33 | V30050K | 3 | 1 | | 22.42 | V40050K | 4 | 1 | | 28.81 | | | | | | | | | | | | | | | | |
| COML TUBV Series Replacement Handles: | | | | | | | | | | | | | | | | | | | | | | | | | | | | | | | | | | | | | | | | | | | | | | | | | | | | | | | | | | | | | | | | | | | | | | | | |
| Pricing Schedule VB | | | | | | | | | | | | | | | | | | | | | | | | | | | | | | | | | | | | | | | | | | | | | | | | | | | | | | | | | | | | | | | | | | | | | | | | |
| V07050K | 1/2 | 1 | | \$4.97 | | | | | | | | | | | | | | | | | | | | | | | | | | | | | | | | | | | | | | | | | | | | | | | | | | | | | | | | | | | | | | | | | | | | |
| V08050K | 3/4 | 1 | | 6.40 | | | | | | | | | | | | | | | | | | | | | | | | | | | | | | | | | | | | | | | | | | | | | | | | | | | | | | | | | | | | | | | | | | | | |
| V10050K | 1 | 1 | | 7.83 | | | | | | | | | | | | | | | | | | | | | | | | | | | | | | | | | | | | | | | | | | | | | | | | | | | | | | | | | | | | | | | | | | | | |
| V14050K | 1-1/4 | 1 | | 12.10 | | | | | | | | | | | | | | | | | | | | | | | | | | | | | | | | | | | | | | | | | | | | | | | | | | | | | | | | | | | | | | | | | | | | |
| V17050K | 1-1/2 | 1 | | 12.80 | | | | | | | | | | | | | | | | | | | | | | | | | | | | | | | | | | | | | | | | | | | | | | | | | | | | | | | | | | | | | | | | | | | | |
| V20050K | 2 | 1 | | 17.07 | | | | | | | | | | | | | | | | | | | | | | | | | | | | | | | | | | | | | | | | | | | | | | | | | | | | | | | | | | | | | | | | | | | | |
| V27050K | 2-1/2 | 1 | | 21.33 | | | | | | | | | | | | | | | | | | | | | | | | | | | | | | | | | | | | | | | | | | | | | | | | | | | | | | | | | | | | | | | | | | | | |
| V30050K | 3 | 1 | | 22.42 | | | | | | | | | | | | | | | | | | | | | | | | | | | | | | | | | | | | | | | | | | | | | | | | | | | | | | | | | | | | | | | | | | | | |
| V40050K | 4 | 1 | | 28.81 | | | | | | | | | | | | | | | | | | | | | | | | | | | | | | | | | | | | | | | | | | | | | | | | | | | | | | | | | | | | | | | | | | | | |

Pressure ratings are for non-shock water at 73°F.

801 SERIES TRUE UNION BALL VALVE



- Max Pressure 150 psi
- Designed for swimming pool, greenhouse, pond, commercial or AG-irrigation, and other water applications.
- PE seat
- Blocked Carrier
- Standard Port
- Not for use in heavy industrial or concentrated chemical applications. (For these applications, see Industrial TUBV, page 4)
- Not for use in golf or other heavy-turf irrigation systems

| Part No. | Size | Ctn. Qty. | %Change | List | Part No. | Size | Ctn. Qty. | %Change | List |
|--|-------|-----------|---------|----------|--|-------|-----------|---------|---------|
| PVC with EPDM O-Rings and TPE Seats. Blue ABS Handle: Pricing Schedule VA | | | | | 801N Series Replacement Handles: Pricing Schedule VB | | | | |
| Socket & Threaded End Connectors | | | | | | | | | |
| V17801N | 1-1/2 | 24 | 10% | \$113.63 | V17801K | 1-1/2 | 1 | 10% | \$16.69 |
| V20801N | 2 | 12 | 10% | 150.42 | V20801K | 2 | 1 | 10% | 20.84 |
| V27801N | 2-1/2 | 6 | 10% | 267.29 | V27801K | 2-1/2 | 1 | 10% | 31.30 |
| Soc x Soc | | | | | | | | | |
| V30801N | 3 | 4 | 10% | \$454.51 | V30801K | 3 | 1 | 10% | 41.70 |
| V40801N | 4 | 1 | 10% | 784.13 | V40801K | 4 | 1 | 10% | 58.40 |
| Threaded | | | | | 801N Series Replacement End Connectors: | | | | |
| V30811N | 3 | 4 | 10% | \$454.51 | Socket End Pc | | | | |
| V40811N | 4 | 1 | 10% | 784.13 | V17801Z3 | 1-1/2 | 1 | 10% | \$18.78 |
| Part No. Size Ctn. Qty. %Change List Fits | | | | | | | | | |
| EPDM O-Rings Kit for MKIII Series 801N and 131W Ball Valve: Pricing Schedule VB | | | | | | | | | |
| V10131NR | 1 | 1 | 10% | \$9.01 | V10131W | | | | |
| V17801NR | 1-1/2 | 1 | 10% | 11.01 | V17131W, V17801N | | | | |
| V20801NR | 2 | 1 | 10% | 12.69 | V20131W, V20801N | | | | |
| V27801NR | 2-1/2 | 1 | 10% | 15.80 | V27801N | | | | |
| V30801NR | 3 | 1 | 10% | 21.43 | V30801N, V30811N | | | | |
| V40801NR | 4 | 1 | 10% | 28.77 | V40801N, V40811N | | | | |
| | | | | | FIPT End Pc | | | | |
| | | | | | V17811Z3 | 1-1/2 | 1 | 10% | \$18.78 |
| | | | | | V20811Z3 | 2 | 1 | 10% | 22.52 |
| | | | | | V27811Z3 | 2-1/2 | 1 | 10% | 26.29 |
| | | | | | V30811Z3 | 3 | 1 | 10% | 28.14 |
| | | | | | V40811Z3 | 4 | 1 | 10% | 37.53 |

WHITE PVC SINGLE UNION BALL VALVES

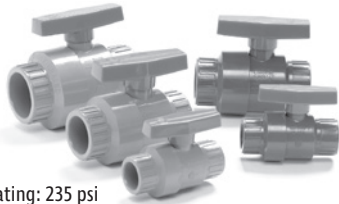
- PVC/EPDM
- Pressure Rating: 150 psi
- Economically priced for Irrigation, Water Treatment, Pool / Spa, and Commercial Plumbing applications.
- Blocked Carrier
- Standard Port



| Part No. | Size | Ctn. Qty. | %Change | List | Part No. | Size | Ctn. Qty. | %Change | List |
|---------------------|-------|-----------|---------|---------|--|-------|-----------|---------|---------|
| Pricing Schedule VA | | | | | Replacement Handles: Pricing Schedule VB | | | | |
| Socket | | | | | | | | | |
| V10131W | 1 | 50 | 10% | \$43.90 | V10801K | 1 | 1 | 10% | \$12.20 |
| V17131W | 1-1/2 | 30 | 10% | 60.08 | V17801K | 1-1/2 | 1 | 10% | 16.69 |
| V20131W | 2 | 20 | 10% | 80.88 | V20801K | 2 | 1 | 10% | 20.84 |

SUPER "C"™ INDUSTRIAL COMPACT BALL VALVE WITH TEFLON® SEATS

- Pressure Rating: 235 psi
- Smooth Turning, Industrial Strength Compact Valve.
- Permanently Sealed Maintenance Free.
- Assembled with water soluble, silicone-free o-ring lubricant.
- Replaceable Handles available.
- 1/2" - 1-1/2" are Full Port Sch 80. 2" has standard port. All have Sch 80 sockets or NPT Threads.
- Pressure Rating per ASTM F-1970
- **Certified to NSF/ANSI 61 and 372**



| Part No. | Size | Ctn. Qty. | %Change | List | Part No. | Size | Ctn. Qty. | %Change | List |
|--|-------|-----------|---------|---------|--|-------|-----------|---------|---------|
| PVC w/EPDM O-RINGS: Pricing Schedule VA | | | | | CPVC w/FKM O-RINGS: Pricing Schedule VA | | | | |
| Socket | | | | | Socket | | | | |
| V07191N | 1/2 | 24 | | \$31.43 | V07194N | 1/2 | 24 | | \$45.63 |
| V08191N | 3/4 | 24 | | 39.03 | V08194N | 3/4 | 24 | | 60.87 |
| V10191N | 1 | 24 | | 46.54 | V10194N | 1 | 24 | | 76.11 |
| V14191N | 1-1/4 | 12 | | 67.70 | V14194N | 1-1/4 | 12 | | 126.26 |
| V17191N | 1-1/2 | 12 | | 86.46 | V17194N | 1-1/2 | 12 | | 155.84 |
| V20191N | 2 | 12 | | 116.57 | V20194N | 2 | 12 | | 202.98 |
| Threaded | | | | | Threaded | | | | |
| V07201N | 1/2 | 24 | | \$31.43 | V07204N | 1/2 | 24 | | \$45.63 |
| V08201N | 3/4 | 24 | | 39.03 | V08204N | 3/4 | 24 | | 60.87 |
| V10201N | 1 | 24 | | 46.54 | V10204N* | 1 | 24 | | 76.11 |
| V14201N* | 1-1/4 | 12 | | 67.70 | V14204N* | 1-1/4 | 24 | | 126.26 |
| V17201N | 1-1/2 | 12 | | 86.46 | V17204N* | 1-1/2 | 24 | | 155.84 |
| V20201N | 2 | 12 | | 116.57 | V20204N* | 2 | 24 | | 202.98 |
| | | | | | *Special Order Call for MOQ and Lead Time. | | | | |

TWO-PIECE INDUSTRIAL COMPACT BALL VALVE WITH TEFLON® SEATS

- Pressure Rating: 150 psi
- Low torque, smooth turning compact valves.
- Sch 80 Sockets
- Standard Port



| Part No. | Size | Ctn. Qty. | %Change | List |
|--|-------|-----------|---------|----------|
| PVC w/EPDM O-RINGS: Pricing Schedule VA | | | | |
| Socket | | | | |
| V27191N | 2-1/2 | 12 | | \$201.50 |
| V30191N | 3 | 8 | | 412.27 |
| V40191N | 4 | 2 | | 618.39 |

LABORATORY BALL VALVE

- Pressure Rating: 150 psi



| Part No. | Size | Ctn. Qty. | %Change | List |
|-------------------------------------|-------------|-----------|---------|---------|
| PVC/FKM: Pricing Schedule VA | | | | |
| V03512N | 1/4 FPTxFPT | 24 | | \$30.10 |
| V03522N | 1/4 FPTxMPT | 24 | | 30.10 |
| V03532N | 1/4 MPTxMPT | 24 | | 30.10 |
| V03542N | 1/4 HBxMPT | 24 | | 30.10 |
| V03552N | 1/4 FPTxHB | 24 | | 30.10 |

Pressure ratings are for non-shock water at 73°F.

CPVC CTS BALL VALVE SxS

- Molded from ASTM D1784, Cell Class 23447 virgin CPVC resin. Suitable for hot or cold water systems.
- Conforms to ASTM D2846 for dimensions of socket and wall thickness.
- Pressure rated up to 100 psi @ 180° F, 150 psi @ 73° F, non-shock water.
- 100% Leak-tested
- Bi-directional, can be installed in either direction
- Sizes 1/2 - 1" are full port; sizes 1-1/4 - 2" are standard port
- Certified to NSF/ANSI 61 and 372.



| Part No. | Size | Ctn. Qty. | %Change | List |
|---|-------|-----------|---------|---------|
| CPVC w/EPDM O-RINGS: Pricing Schedule VT | | | | |
| Socket | | | | |
| V07491CE | 1/2 | 100 | 20% | \$18.03 |
| V08491CE | 3/4 | 100 | 20% | 22.09 |
| V10491CE | 1 | 100 | 20% | 31.98 |
| V14491CE | 1-1/4 | 60 | 20% | 43.60 |
| V17491CE | 1-1/2 | 48 | 20% | 55.24 |
| V20491CE | 2 | 24 | 5% | 68.29 |

INDUSTRIAL SCH 80 MIP COMPACT VALVE



- Sch 80 Sockets
- Standard Port
- Pressure Rating 150 psi
- Individually Boxed
- Certified to NSF/ANSI 61 and 372.
- PTFE Seats and FPM/FKM O-Rings* for Higher Corrosion Resistance and Longer Service Life
- Replaceable Handle
- 100% Leak Tested
- Gray PVC and Light Gray CPVC

| Part No. | Size | Ctn. Qty. | %Change | List |
|---|------|-----------|---------|---------|
| Gray PVC FKM O-Rings, PTFE Seat, Socket Pricing Schedule VM | | | | |
| V07692N | 1/2 | 100 | 10% | \$30.52 |
| V08692N | 3/4 | 100 | 10% | 40.21 |
| Gray PVC FKM O-Rings, PTFE Seat, Threaded Pricing Schedule VM | | | | |
| V07792N | 1/2 | 100 | 10% | \$30.52 |
| V08792N | 3/4 | 100 | 10% | \$40.21 |

Note: Sizes above 3/4" have been discontinued in this series.

| Part No. | Size | Ctn. Qty. | %Change | List |
|--|------|-----------|---------|---------|
| Light Gray CPVC FKM O-Rings, PTFE Seat, Socket: Pricing Schedule VM | | | | |
| V07694N | 1/2 | 100 | 10% | \$55.16 |
| V08694N | 3/4 | 100 | 10% | \$67.13 |
| Light Gray CPVC FKM O-Rings, PTFE Seat, Threaded: Pricing Schedule VM | | | | |
| V07794N | 1/2 | 100 | 10% | \$55.16 |
| V08794N | 3/4 | 100 | 10% | 67.13 |

491 SERIES COMMERCIAL SCH 80 GRAY AND WHITE MIP (MOLDED-IN-PLACE) BALL VALVE

- Sch 80 Sockets
- Standard Port
- Pressure Rating: 150 psi
- Individually Boxed
- Replaceable Handle**
- 100% Leak-Tested
- Certified to NSF/ANSI 61 and 372.
- Blue Handle (as of December 2014)
- Rigid PVC Ball and Stem for Longer Service Life



See page 22 for details on O-Ring and Seat Materials

| Part No. | Size | Ctn. Qty. | %Change | List |
|---|-------|-----------|---------|---------|
| GRAY PVC w/EPDM: Pricing Schedule VM | | | | |
| Socket | | | | |
| V07691N | 1/2 | 100 | 15% | \$12.28 |
| V08691N | 3/4 | 100 | 15% | 15.26 |
| V10691N | 1 | 60 | 15% | 21.60 |
| V14691N | 1-1/4 | 45 | 15% | 34.92 |
| V17691N | 1-1/2 | 24 | 15% | 62.84 |
| V20691N | 2 | 24 | 15% | 74.48 |
| White PVC w/EPDM: Pricing Schedule VM | | | | |
| Socket | | | | |
| V07491N | 1/2 | 100 | 15% | 12.28 |
| V08491N | 3/4 | 100 | 15% | 15.26 |
| V10491N | 1 | 60 | 15% | 21.60 |
| V14491N | 1-1/4 | 45 | 15% | 34.92 |
| V17491N | 1-1/2 | 24 | 15% | 62.84 |
| V20491N | 2 | 24 | 15% | 74.48 |
| V27491N | 2-1/2 | 12 | 5% | 131.79 |
| V30491N | 3 | 6 | 5% | 217.28 |
| V40491N | 4 | 3 | 5% | 418.62 |

| Part No. | Size | Ctn. Qty. | %Change | List |
|---|-------|-----------|---------|---------|
| GRAY PVC w/EPDM: Pricing Schedule VM | | | | |
| Threaded | | | | |
| V07791N | 1/2 | 100 | 15% | \$12.28 |
| V08791N | 3/4 | 100 | 15% | 15.26 |
| V10791N | 1 | 60 | 15% | 21.60 |
| V14791N | 1-1/4 | 45 | 15% | 34.92 |
| V17791N | 1-1/2 | 24 | 15% | 62.84 |
| V20791N | 2 | 24 | 15% | 74.48 |
| White PVC w/EPDM: Pricing Schedule VM | | | | |
| Threaded | | | | |
| V07591N | 1/2 | 100 | 15% | \$12.28 |
| V08591N | 3/4 | 100 | 15% | 15.26 |
| V10591N | 1 | 60 | 15% | 21.60 |
| V14591N | 1-1/4 | 45 | 15% | 34.92 |
| V17591N | 1-1/2 | 24 | 15% | 62.84 |
| V20591N | 2 | 24 | 15% | 74.48 |
| V27591N | 2-1/2 | 12 | 5% | 131.79 |
| V30591N | 3 | 6 | 5% | 217.28 |
| V40591N | 4 | 3 | 5% | 418.62 |

REPLACEMENT HANDLE FOR COMMERCIAL AND INDUSTRIAL MIP VALVE

Fits Industrial and Commercial MIP Valves.

Note: System must be de-pressurized prior to replacing handle. Each kit includes handle and replacement screw.



| Part No. | Size | Ctn. Qty. | %Change | List |
|---------------------|-------|-----------|---------|--------|
| Pricing Schedule VB | | | | |
| V07491K | 1/2 | 1 | 15% | \$1.88 |
| V08491K | 3/4 | 1 | 15% | 2.15 |
| V10491K | 1 | 1 | 15% | 2.59 |
| V14491K | 1-1/4 | 1 | 15% | 3.29 |
| V17491K | 1-1/2 | 1 | 15% | 7.05 |

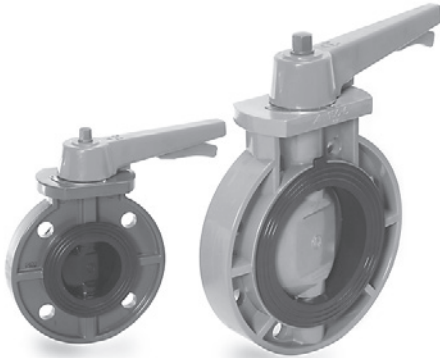
| Part No. | Size | Ctn. Qty. | %Change | List |
|---------------------|-------|-----------|---------|--------|
| Pricing Schedule VB | | | | |
| V20491K | 2 | 1 | 15% | \$9.40 |
| V27491K | 2-1/2 | 1 | 5% | 9.96 |
| V30491K | 3 | 1 | 5% | 15.93 |
| V40491K | 4 | 1 | 5% | 23.92 |

461 SERIES SCH 40 MIP BALL VALVE

NOTE: 461 Series Sch 40 MIP Ball Valves are now available exclusively through Westlake Pipe & Fittings (LASCO).

Pressure ratings are for non-shock water at 73°F.

411N INDUSTRIAL SERIES BUTTERFLY VALVE WITH LOCKING PP LEVER HANDLE



- Full Boot Seal design. Requires no flange gaskets. ANSI Class 150 flange bolt pattern. Wafer Type.
- Pressure Rating: 150 psi
- ANSI class 150 Bolt Pattern
- 410 Stainless Steel Stem
- Handle Includes Lockout Hole
- 411N BFV is direct retrofit for ©ASAHI type 56/57 and Pool Pro BFV (Same Face to Face DIM)
- Butterfly Valve Flange Bolt Sets and Contractor Kits - Page 17.

411N Series also available in PP and PVDF. Please call customer service for price and availability.

If used in an HDPE piping system, flange spacers and/or chamfered flange adapters may be required. Please contact your HDPE fittings distributor.

©ASAHI/America, 35 Green St., Malden, MA 02148

See page 22 for details on O-Ring and Seat Materials

| Part No. | Size | Ctn. Qty. | %Change | List | Part No. | Size | Ctn. Qty. | %Change | List |
|--|-------|-----------|---------|-----------------|---|-------|-----------|---------|-------------------|
| PVC/EPDM with PP Disc: Pricing Schedule VC | | | | | PVC/FKM with PP Disc: Pricing Schedule VC | | | | |
| V20411N | 2 | 4 | 5% | \$399.73 | V20412N | 2 | 4 | 5% | \$992.76 |
| V27411N | 2-1/2 | 4 | 5% | 423.69 | V27412N | 2-1/2 | 4 | 5% | 1,028.21 |
| V30411N | 3 | 4 | 5% | 430.34 | V30412N | 3 | 4 | 5% | 1,045.96 |
| V40411N | 4 | 4 | 5% | 498.84 | V40412N | 4 | 4 | 5% | 1,294.12 |
| V50411N | 5 | 4 | 5% | 706.40 | V60412N | 6 | 2 | 5% | 1,932.34 |
| V60411N | 6 | 2 | 5% | 738.03 | V80412N | 8 | 1 | 5% | 3,368.27 |
| V80411N | 8 | 1 | 5% | 1,254.63 | | | | | |
| PVC/BUNA with PP Disc: Pricing Schedule VC | | | | | CPVC/FKM with CPVC Disc: Pricing Schedule VC | | | | |
| V20415N | 2 | 4 | 5% | \$399.73 | V20414N | 2 | 4 | 5% | \$1,373.93 |
| V30415N | 3 | 4 | 5% | 430.34 | V27414N | 2-1/2 | 4 | 5% | 1,489.16 |
| V40415N | 4 | 4 | 5% | 498.84 | V30414N | 3 | 4 | 5% | 1,560.04 |
| V60415N | 6 | 2 | 5% | 738.03 | V40414N | 4 | 4 | 5% | 2,003.24 |
| V80415N | 8 | 1 | 5% | 1254.63 | V60414N | 6 | 2 | 5% | 3,155.54 |
| | | | | | V80414N | 8 | 1 | 5% | 5,318.33 |
| CPVC/EPDM with CPVC Disc: Pricing Schedule VC | | | | | | | | | |
| V20413N | 2 | 4 | 5% | \$682.52 | | | | | |
| V27413N | 2-1/2 | 4 | 5% | 744.57 | | | | | |
| V30413N | 3 | 4 | 5% | 797.75 | | | | | |
| V40413N | 4 | 4 | 5% | 921.86 | | | | | |
| V60413N | 6 | 2 | 5% | 1,276.41 | | | | | |
| V80413N | 8 | 1 | 5% | 2,215.98 | | | | | |

411N SERIES BUTTERFLY VALVE REPLACEMENT HANDLE



| Part No. | Size | Ctn. Qty. | %Change | List |
|----------|------|-----------|---------|------|
|----------|------|-----------|---------|------|

Pricing: Schedule VB

| | | | | |
|---------|---------|---|----|----------------|
| V30411K | 2 | 1 | 5% | \$72.66 |
| V30411K | 2-1/2 | 1 | 5% | 72.66 |
| V30411K | 3 | 1 | 5% | 72.66 |
| V40411K | 4 | 1 | 5% | 83.59 |
| V80411K | 6 and 8 | 1 | 5% | 211.02 |



411 Series BFVs in Equipment Room

Pressure ratings are for non-shock water at 73°F.

411NG SERIES BUTTERFLY VALVE WITH GEAR OPERATOR: 2 - 16"



2 - 16" Diameter

- Pressure Rating: 150 psi 8, 10" 100 psi 12" 86 psi, 14-16"
- Full Boot Seal design. Requires no flange gaskets. ANSI Class 150 flange bolt pattern. Wafer Type.
- 410 Stainless Steel Stem.
- Standard Gear Operator is cast iron with corrosion-resistant paint and SS fasteners.
- Not submersible.
- Stem Extensions and Chain wheel available – See page 14 for detail.

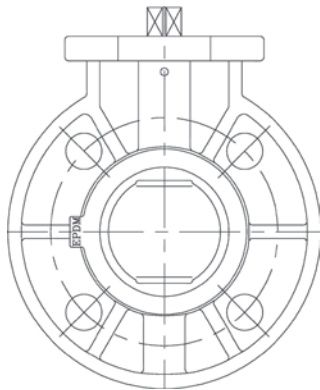
Note: For 2-1/2" piping, use 3" BFV and Flanges with 3 x 2-1/2 Bushings (LASCO P/N 837339)

Stem extensions available for 411NG series BFV, see page 16

| Part No. | Size | Ctn. Qty. | %Change | List | Part No. | Size | Ctn. Qty. | %Change | List |
|--|------|-----------|---------|------------|---|------|-----------|---------|------------|
| PVC/EPDM with PP Disc: Pricing Schedule VC | | | | | PVC/FKM with PP Disc: Pricing Schedule VC | | | | |
| V20411NG | 2 | 1 | 5% | \$1,302.98 | V20412NG | 2 | 1 | 5% | \$1,710.74 |
| V30411NG | 3 | 1 | 5% | 1,356.17 | V30412NG | 3 | 1 | 5% | 1,755.05 |
| V40411NG | 4 | 1 | 5% | 1,444.81 | V40412NG | 4 | 1 | 5% | 1,994.39 |
| V60411NG | 6 | 1 | 5% | 1,728.46 | V60412NG | 6 | 1 | 5% | 2,570.54 |
| V80411NG | 8 | 1 | 5% | 1,881.44 | V80412NG | 8 | 1 | 5% | 3,900.12 |
| V100411NG | 10 | 1 | 5% | 2,613.07 | V100412NG | 10 | 1 | 5% | 6,366.06 |
| V120411NG | 12 | 1 | 5% | 3,681.79 | V120412NG | 12 | 1 | 5% | 8,332.07 |
| V140411NG | 14 | 1 | 5% | 7,295.69 | V140412NG | 14 | 1 | | * |
| V160411NG | 16 | 1 | 5% | 10,837.15 | V160412NG | 16 | 1 | | * |
| Part No. | Size | Ctn. Qty. | %Change | List | Part No. | Size | Ctn. Qty. | %Change | List |
| CPVC/EPDM with CPVC Disc: Pricing Schedule VC | | | | | CPVC/FKM with CPVC Disc: Pricing Schedule VC | | | | |
| V20413NG | 2 | 1 | 5% | \$1,639.81 | V20414NG | 2 | 1 | 5% | \$2,251.43 |
| V30413NG | 3 | 1 | 5% | 1,728.46 | V30414NG | 3 | 1 | 5% | 2,481.87 |
| V40413NG | 4 | 1 | 5% | 1,817.12 | V40414NG | 4 | 1 | 5% | 2,836.45 |
| V60413NG | 6 | 1 | 5% | 2,269.17 | V60414NG | 6 | 1 | 5% | 3,988.75 |
| V80413NG | 8 | 1 | 5% | 2,925.07 | V80414NG | 8 | 1 | 5% | 5,938.83 |
| V100413NG | 10 | 1 | 5% | 4,343.33 | V100414NG | 10 | 1 | 5% | 10,282.11 |
| V120413NG | 12 | 1 | 5% | 6,027.47 | V120414NG | 12 | 1 | 5% | 13,827.68 |
| V140413NG | 14 | 1 | | * | V140414NG | 14 | 1 | | * |
| V160413NG | 16 | 1 | | * | V160414NG | 16 | 1 | | * |

Note: 8 - 12" PVC/EPDM type are stocked items. Call for lead-time on 14 & 16" PVC/EPDM, and 8 - 12" PVC/FKM, CPVC/EPDM, and CPVC/FKM type

411ND SERIES BUTTERFLY VALVE



Direct-mount ready Butterfly Valves with ISO 5211 mounting pattern.

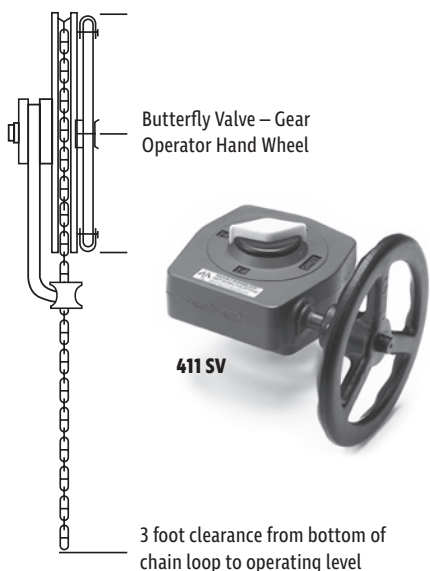
- Full Boot Seal design. Requires no flange gaskets. ANSI Class 150 flange bolt pattern. Wafer Type.
- 410 Stainless Steel Stem.
- Suitable for all ISO 5211 compliant gear operators or actuators.

Option for 2-1/2" piping, use 3" BFV, 3" Flanges, and 3 x 2-1/2" Bushings.

| Part No. | Size | ISO Pattern | Sq. Stem (mm on flats) | Opening Torque (in. lbs.) | Qty. | % Change | List |
|--|------|-------------|------------------------|---------------------------|------|----------|------------|
| PVC/EPDM: Pricing Schedule VC | | | | | | | |
| V20411ND | 2 | F05 & F07 | 11 | 113 | 1 | 5% | \$400.64 |
| V30411ND | 3 | F05 & F07 | 14 | 260 | 1 | 5% | 430.01 |
| V40411ND | 4 | F07 & F10 | 14 | 391 | 1 | 5% | 490.35 |
| V60411ND | 6 | F07 & F10 | 17 | 738 | 1 | 5% | 726.09 |
| V80411ND | 8 | F10 | 22 | 1302 | 1 | 5% | 1,165.51 |
| V100411ND | 10 | F10 | 22 | 2604 | 1 | 5% | 1,985.39 |
| V120411ND | 12 | F12 | 27 | 3906 | 1 | 5% | 2,785.88 |
| CPVC/EPDM with CPVC Disc: Pricing Schedule VC | | | | | | | |
| V20413ND | 2 | F05 & F07 | 11 | 113 | 1 | 5% | \$655.93 |
| V30413ND | 3 | F05 & F07 | 14 | 260 | 1 | 5% | 735.71 |
| V40413ND | 4 | F07 & F10 | 14 | 391 | 1 | 5% | 842.08 |
| V60413ND | 6 | F07 & F10 | 17 | 738 | 1 | 5% | 1,267.55 |
| V80413ND | 8 | F10 | 22 | 1302 | 1 | 5% | 2,437.59 |
| PVC/FKM: Pricing Schedule VC | | | | | | | |
| V20412ND | 2 | F05 & F07 | 11 | 113 | 1 | 5% | \$1,010.49 |
| V30412ND | 3 | F05 & F07 | 14 | 260 | 1 | 5% | 1,063.67 |
| V40412ND | 4 | F07 & F10 | 14 | 391 | 1 | 5% | 1,329.59 |
| V60412ND | 6 | F07 & F10 | 17 | 738 | 1 | 5% | 1,950.06 |
| V80412ND | 8 | F10 | 22 | 1302 | 1 | 5% | 2,481.87 |
| CPVC/FKM with CPVC Disc: Pricing Schedule VC | | | | | | | |
| V20414ND | 2 | F05 & F07 | 11 | 113 | 1 | 5% | \$1,497.99 |
| V30414ND | 3 | F05 & F07 | 14 | 260 | 1 | 5% | 1,586.63 |
| V40414ND | 4 | F07 & F10 | 14 | 391 | 1 | 5% | 2,127.34 |
| V60414ND | 6 | F07 & F10 | 17 | 738 | 1 | 5% | 3,191.01 |

Pressure ratings are for non-shock water at 73°F.
Butterfly Valve Flange Bolt Kits - Page 17

GEAR OPERATORS FOR V40411ND (DIRECT MOUNT) BUTTERFLY VALVES



Aluminum Gear Operator
Corrosion-resistant Aluminum Alloy housing with handwheel. Weight: 4 lbs. Not submersible.
Pricing Schedule VB

| Part Number | ISO Mounting | Ctn Qty | % Change | List Price | Note |
|-------------|-------------------|---------|----------|-----------------|--------------------|
| 232-08 | F07 & F10 | 1 | 20% | \$895.26 | Fits ND BFV 2 - 8" |
| PS160 | 6" Diam Handwheel | 1 | 20% | 101.09 | |

Stem coupling included: Please specify the required stem coupling size (Square 11mm, 14mm, or 17mm) when ordering

Chain Wheel Kits
Valves aren't always situated in easy to access locations. Often, gaining access to open or close a valve necessitates dangerous climbing or maneuvering. A Chain Wheel can be installed in minutes and provides an easy, inexpensive way to ensure employee safety and effective valve operation. Opening and closing valves becomes as easy as standing at ground level and simply pulling the chain to operate the chain wheel above.

- Chain sprocket is sized to clamp on the hand-wheel for safe, effective manual valve operation.
- All kits come complete with sprocket wheel, chain guide, set collar, 20' of chain (10' loop), and retaining-cable safety kit.
- Chain material Stainless Steel.
- Bracket and sprocket material: Aluminum.

Pricing Schedule VB

| Part Number | ISO Mounting | Ctn Qty | % Change | List Price |
|-------------|------------------|---------|----------|-------------------|
| CL75AL | NG BFVs 2 - 6" | 1 | 20% | \$1,783.28 |
| CL9AL | NG BFVs 8 & 10" | 1 | 20% | 2,014.75 |
| CL12AL | NG BFVs 12 - 16" | 1 | 20% | 2,349.11 |

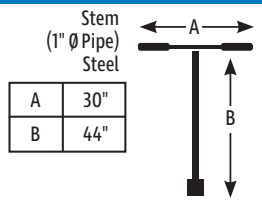
411SV BUTTERFLY SHUT-OFF VALVE FOR COMMERCIAL POOL / AQUATIC SURGE TANKS / PONDS

- Shut-off valve for gravity-flow pipe that drains into surge tank.
- Submersible.
- Full boot seal for durable performance. No gaskets required.
- ANSI B16.5 Class 150 Flange Pattern. Wafer Type.
- Stainless Steel 2" Operating nut is retained by rails, which also stop rotation in the full-open or full-closed position, (with no locking positions between).
- Designed to be operated with a 2" square valve key. (Colonial Part No V417681 or V417681S 2" Square Valve Key KIT is sold separately), or deck socket stem extension kit.
- This valve is designed to be used in the full-open or full-closed position on a drain pipe, so the maximum recommended operating pressure is 20 psi.



| Part No. | Size | Ctn. Qty. | %Change | List |
|--|------|-----------|---------|-------------------|
| PVC w/EPDM O-Rings S x S: Pricing Schedule VC | | | | |
| V40411SV | 4 | 1 | 5% | \$1,675.73 |
| V60411SV | 6 | 1 | 5% | 1,844.13 |
| V80411SV | 8 | 1 | 5% | 2,083.24 |

2" SQUARE VALVE KEY KIT - FOR USE WITH 411SV VALVES



Includes 44" stem welded to a 2" Square head, and separate handle. Customer can weld additional 1" Sch 40 pipe (not included) as needed for the required length. NOTE: customer must bevel the end of pipe to allow for proper weld-bead.

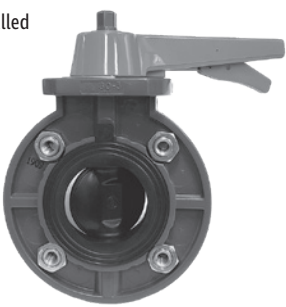
NOTE: Requires assembly (welding) by customer at jobsite

| Part No. | Material | Ctn. Qty. | %Change | List |
|--|---------------------|-----------|---------|----------|
| Carbon Steel: Pricing Schedule VB | | | | |
| V417681 | Carbon Steel | 1 | | \$234.08 |
| V417681S | 304 Stainless Steel | 1 | | 649.78 |

411NL & 411NGL SERIES LUG TYPE BUTTERFLY VALVE 3 -12"

Pressure rating if installed in-line, 150 psi 3 - 10", 100 psi 12"

Pressure rating if installed as "Dead-End" or "End-of-line" Service, (No down-stream piping, and disc in closed position): 3 - 12", 75 PSI



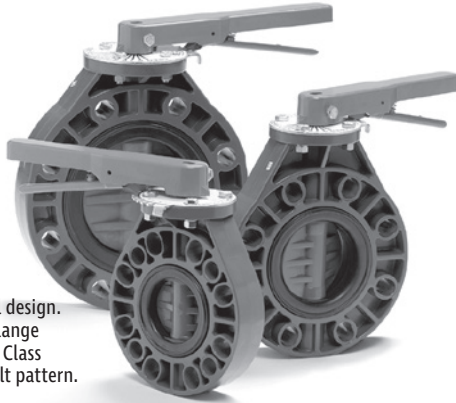
Lug type available in PVC/EPDM with 304SS Lug Inserts. Install between two flanges using a separate set of bolts & washers for each flange. This setup permits either side of the piping system to be disconnected without disturbing the other side.

| Part No. | Size | Ctn. Qty. | %Change | List | Part No. | Size | Ctn. Qty. | %Change | List |
|---|------|-----------|---------|-------------------|---|------|-----------|---------|----------------|
| PVC/EPDM with PP Disc: Pricing Schedule VC | | | | | Bolt Sets for LUG-TYPE Butterfly Valves: | | | | |
| With Locking Lever Handle | | | | | Includes a Bolt and washer for each lug position, for both sides of the valve. 316 SS Pricing Schedule VB | | | | |
| V30411NL | 3 | 1 | 5% | \$570.53 | V30LBFKS | 3 | 1 Set | 5% | \$39.79 |
| V40411NL | 4 | 1 | 5% | 1,086.32 | V40LBFKS | 4 | 1 Set | 5% | 149.68 |
| V60411NL | 6 | 1 | 5% | 1,288.42 | V60LBFKS | 6 | 1 Set | 5% | 226.32 |
| V80411NL | 8 | 1 | 5% | 1,533.68 | V80LBFKS | 8 | 1 Set | 5% | 244.42 |
| With Cast Iron Gear Operator | | | | | V100LBFKS | 10 | 1 Set | 5% | 591.58 |
| V100411NGL | 10 | 1 | 5% | \$3,669.47 | V120LBFKS | 12 | 1 Set | 5% | 657.89 |
| V120411NGL | 12 | 1 | 5% | 4,478.95 | | | | | |

- Ideal for On/Off service or for Throttling
- Full boot seal for durable performance
- No flange gaskets are required
- ANSI B16.5 Class 150 Flange Pattern

Pressure ratings are for non-shock water at 73°F.
Butterfly Valve Flange Bolt Kits - Page 17

311N SERIES BUTTERFLY VALVE WITH STEEL LEVER HANDLE: 3, 4, AND 6"



- Full Boot Seal design. Requires no flange gaskets. ANSI Class 150 flange bolt pattern. Wafer Type.
- Pressure Rating: 150 psi
- ANSI Class 150 Bolt Pattern
- 410 SS Stem
- **Takeout dimension equal to Bray & many other Cast Iron BFVs**

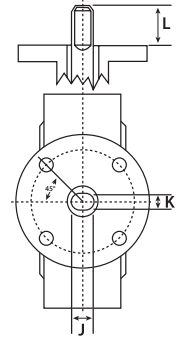
If used in an HDPE piping system, flange spacers and/or chamfered flange adapters may be required. Please contact your HDPE fittings distributor.

Actuation of 311N series is available using custom mounting kit. Call for pricing



| Part No. | Size | Ctn. Qty. | % Change | List | | |
|--|-------|-----------|----------|-------------------------|--------------|------------|
| PVC: Pricing Schedule VC | | | | | | |
| V30311N | 3 | 4 | 5% | \$451.13 | | |
| V40311N | 4 | 4 | 5% | 529.35 | | |
| V60311N | 6 | 4 | 5% | 760.88 | | |
| Part No. | Size | Ctn. Qty. | % Change | List | | |
| REPLACEMENT HANDLE | | | | | | |
| Pricing Schedule VB | | | | | | |
| V30311K | 3 | 1 | 5% | \$70.75 | | |
| V40311K | 4 | 1 | 5% | 70.75 | | |
| V60311K | 6 | 1 | 5% | 82.99 | | |
| DIMENSIONS FOR TOP PLATE | | | | | | |
| Size | L | J | K | Bolt Plate Circle (PCD) | No. of Holes | Hole Diam. |
| 3" | 1-1/4 | 9/16 | 3/8 | 3-1/4 | 4 | 7/16 |
| 4" | 1-1/4 | 5/8 | 7/16 | 3-1/4 | 4 | 7/16 |
| 6" | 1-1/4 | 5/8 | 7/16 | 3-1/4 | 4 | 7/16 |
| Stem extensions available. See page 16. | | | | | | |

PVC Body, EPDM Boot; PVC Disc, Stainless Steel Stem, Metal Coated Handle, PP Bearings, EPDM O-Rings, Keystone Fig. 100 top dimensions with double-D stem.



BUTTERFLY VALVES

711N SERIES COMMERCIAL BUTTERFLY VALVE WITH BLUE HANDLE



| Part No. | Size | Ctn. Qty. | % Change | List |
|--|------|-----------|----------|-----------------|
| PVC / EPDM, 316 SS Stem, Blue PVC Lever Handle: | | | | |
| Pricing Schedule VC | | | | |
| V20711N | 2 | 6 | 10% | \$311.26 |
| V30711N | 3 | 4 | 10% | 352.22 |
| V40711N | 4 | 4 | 10% | 408.99 |
| V60711N | 6 | 2 | 10% | 605.46 |
| V80711N | 8 | 2 | 10% | 1,029.01 |

- Full boot EPDM seal, requires no gaskets
- Lightweight, corrosion-resistant PVC construction
- Six position Index plate
- 316 Stainless Steel non-wetted stem
- Pressure rating: 150 psi 2 - 6", 135 psi 8"
- Commercial Pool, Industrial, Ag-Irrigation
- Available in Kits

If used in an HDPE piping system, flange spacers and/or chamfered flange adapters may be required. Please contact your HDPE fittings distributor.

REPLACEMENT HANDLES FOR 711N SERIES BUTTERFLY VALVES

Over the past year, there was a slight design-change for the 3", 4", and 6" 711 Series Butterfly Valves. This involved a change in the stem dimensions, so that if you remove the handle and top plate, you will have an ISO compliant mount for a Gear Operator or Actuator. On the new type, the Cap on the handle says "Colonial II".

Since the dimensions of the stem changed, so did the area of the handle that mates with the stem. So there are now two part-number options for replacement handles:

| Part No. | Description | Ctn. Qty. | % Change | List |
|---------------------|--|-----------|----------|----------------|
| Pricing Schedule VB | | | | |
| V40711K | Replacement handle. Fits original type 3 & 4" 711N valve. Dark blue in color. 13.3 mm square stem port. | 1 | 10% | \$67.56 |
| V40711K2 | Replacement handle. Fits "Colonial II" type 3 & 4" 711N valve. Light blue in color. 14mm square stem port. | 1 | 10% | 67.56 |
| V80711K | Replacement handle. Fits original type 6 & 8" 711N valve. Dark blue in color. 17.8 mm square stem port. | 1 | 10% | 86.31 |
| V80711K2 | Replacement handle. Fits "Colonial II" type 6 & 8" 711N valve. Light blue in color. 17mm square stem port. | 1 | 10% | 86.31 |

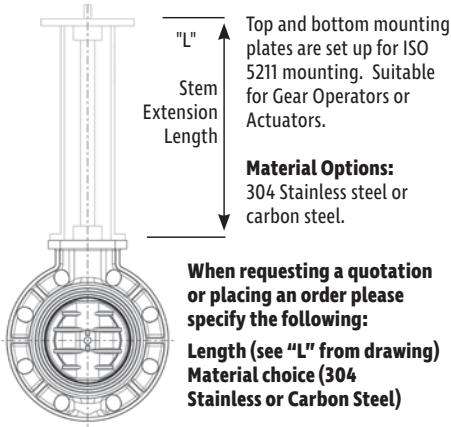


Stem Square Port



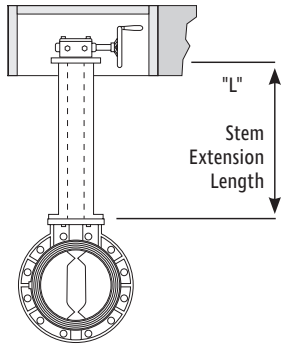
Pressure ratings are for non-shock water at 73°F.
Butterfly Valve Flange Bolt Kits - Page 17

STEM EXTENSION OPTIONS FOR BUTTERFLY VALVES

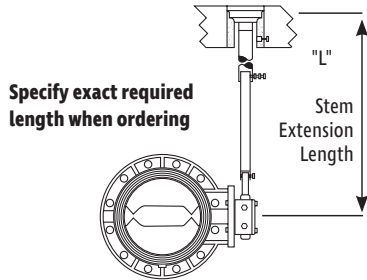


Stem extension for gear op or actuator mounting - stem extension will be priced based on materials & length. Note part numbers below for use with either 411ND or 411NG butterfly valve

| FITS BFV SIZES | 2 - 4" | 6 - 10" | 12" |
|--|--|--|--|
| USED WITH COLONIAL 411ND BARE-TOP SERIES ISO 5211 BFV | | | |
| Length (in) | Part No. | Part No. | Part No. |
| 6-12 | V411N01 | V411N01A | V411N01B |
| 12-24 | V411N02 | V411N02A | V411N02B |
| 25-48 | V411N03 | V411N03A | V411N03B |
| 49-84 | V411N04 | V411N04A | V411N04B |
| 85-108 | V411N05 | V411N05A | V411N05B |
| ISO 5211 Direct Mount BFVs | F07 Mounting BCD (70mm, 2.76") 4 holes 9mm diam | F10 Mounting BCD (102mm, 4.01") 4 holes 11mm diam | F12 Mounting BCD (125mm, 4.92") 4 holes 13mm diam |
| Top of Extension Stem-Square Options | 11 - 14 mm | 17 - 22 mm | 27 mm |
| Flange O.D. at Top of Stem Extension | 3.5" | 5" | 5.75" |

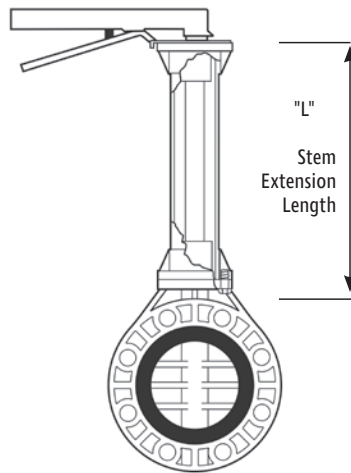


| USED WITH COLONIAL 411NG SERIES BFV WITH GEAR OPERATOR | | | |
|---|--|---|---|
| Length (in) | Part No. | Part No. | Part No. |
| 6-12 | V411NG01 | V411NG01A | V411NG01B |
| 12-24 | V411NG02 | V411NG02A | V411NG02B |
| 25-48 | V411NG03 | V411NG03A | V411NG03B |
| 49-84 | V411NG04 | V411NG04A | V411NG04B |
| 85-108 | V411NG05 | V411NG05A | V411NG05B |
| | F07 Mounting BCD (70mm, 2.76") 4 holes 9mm diam | BCD (90mm, 3.543") 4 holes 10mm diam | BCD (127mm, 5.00") 4 holes 14mm diam |
| Stem Details | Square (11mm width, 12mm height) | Keyed (25mm diam, 54mm height) | Keyed (31.75mm diam, 60mm height) |
| Flange O.D. at Top of Stem Extension | 3.5" | 5" | 5.75" |



| USED WITH COLONIAL 411NG SERIES BFV, SIDE-MOUNTED TYPE EXTENSION WITH DECK-SOCKET | | | |
|--|---|-----------------|-----------------|
| Length (in) | Part No. | Part No. | Part No. |
| 6-12 | V411NGS01 | V411NGS01A | V411NGS01B |
| 12-24 | V411NGS02 | V411NGS02A | V411NGS02B |
| 25-48 | V411NGS03 | V411NGS03A | V411NGS03B |
| 49-84 | V411NGS04 | V411NGS04A | V411NGS04B |
| 85-108 | V411NGS05 | V411NGS05A | V411NGS05B |
| Details: | Valve is mounted rotated at 45 degrees. Extension mounts to output shaft of Gear Operator. Top of extension will feature a 3/4" female square seated in a Deck Socket with Brass Threaded Cap. Full details available on submittal. | | |
| Accessory: | Part Number V411NGSK: 24" drive wrench with 3/4" male square drive | | |

For use with 311N or 711N Lever-Handle BFVS steel lever handle and 316 SS Index Plate will be installed at top of extension



| USED WITH 311N SERIES BFV | | | USED WITH COLONIAL 711N BFV | | |
|--|---|--------------------------------------|--|--|-------------------------|
| Length (in) | Part No. | Part No. | Length (in) | Part No. | Part No. |
| 6-12 | V311N01 | V311N01A | 6-12 | V711N01 | V711N01A |
| 12-24 | V311N02 | V311N02A | 12-24 | V711N02 | V711N02A |
| 25-48 | V311N03 | V311N03A | 25-48 | V711N03 | V711N03A |
| 49-84 | V311N04 | V311N04A | 49-84 | V711N04 | V711N04A |
| 85-108 | V311N05 | V311N05A | 85-108 | V711N05 | V711N05A |
| Fits BFV Sizes | 3 & 4" | 6" | Fits BFV Sizes | 3 & 4" | 6 & 8" |
| BCD Top & Bottom of Extension | BCD (82.5 mm, 3.25") 4 holes 9mm diam | | Top of Extension BCD | BCD (82.5 mm, 3.25") 4 holes 9mm diam | |
| Top of Extension Stem Details | Double D (.625"L, .438"W, 1.25"H) | | Top of Extension Stem Details | Double D (.625"L, .438"W, 1.25"H) | |
| Bottom of Extension Stem Details (Top of BFV) | 3" BFV Double D (.563" L, .375" W, 1.25" H)/4" BFV Double D (.625" L, .438" W, 1.25" H) | Double D (.625" L, .438" W, 1.25" H) | Bottom of Extension BCD | F07 Mounting BCD | F10 Mounting BCD |
| | | | Bottom of Extension Stem Details (Top of BFV) | 14mm Square W x 17 mm H | 17mm Square W x 31 mm H |

Pressure ratings are for non-shock water at 73°F.
Butterfly Valve Flange Bolt Kits - Page 17

NEW FLANGE GASKET BOLT SET KITS

Kit including single flange, gasket & bolt set

- Each Kit includes one PVC Vanstone Flange, one EPDM Gasket, and a 316 SS Bolt Set.
- Packaged in a corrugated box. Used to connect pipe or fittings to the flanged inlet or outlet of a pump or filter.



| Part No. | Flange Size | % Change | List |
|----------|-------------|----------|------|
|----------|-------------|----------|------|

| | | | |
|---------------------|-----|--|----------|
| Pricing Schedule VK | | | |
| KIT301FBGS | 3" | | \$134.00 |
| KIT401FBGS | 4" | | 206.00 |
| KIT601FBGS | 6" | | 370.00 |
| KIT801FBGS | 8" | | 459.00 |
| KIT1001FBGS | 10" | | 819.00 |

Kit including bolt set and gasket for Flange X Flange connections

- Each Kit includes one Class 150 EPDM Gasket, and a 316 SS Bolt Set. Packaged in a corrugated box.



| Part No. | For use with Flange Size | % Change | List |
|----------|--------------------------|----------|------|
|----------|--------------------------|----------|------|

| | | | |
|---------------------|-----|--|---------|
| Pricing Schedule VK | | | |
| KIT30BGS | 3" | | \$85.00 |
| KIT40BGS | 4" | | 145.00 |
| KIT60BGS | 6" | | 256.00 |
| KIT80BGS | 8" | | 281.00 |
| KIT100BGS | 10" | | 633.00 |
| KIT120BGS | 12" | | 652.00 |

BUTTERFLY VALVE BOLT SETS



Butterfly Valve Size 2" & 3"

- 4 5/8-11 x 5-1/2 Hex Bolts
- 4 5/8-11 Hex Nuts
- 8 5/8 Flat Washers

Butterfly Valve Size 4"

- 8 5/8-11 x 6 Hex Bolts
- 8 5/8-11 Hex Nuts
- 16 5/8 Flat Washers

Butterfly Valve Size 6"

- 8 3/4-10 x 7 Hex Bolts
- 8 3/4-10 Hex Nuts
- 16 3/4 Flat Washers

Butterfly Valve Size 8"

- 8 3/4-10 x 8 Hex Bolts
- 8 3/4-10 Hex Nuts
- 16 3/4 Flat Washers

Butterfly Valve Size 10"

- 12 7/8-9 x 9 Hex Bolts
- 12 7/8-9 Hex Nuts
- 24 7/8 Flat Washers

Butterfly Valve Size 12"

- 12 7/8-9 x 10 Hex Bolts
- 12 7/8-9 Hex Nuts
- 24 7/8 Flat Washers

Flange bolt sets sized to mate ANSI Class 150 flanges and Colonial Butterfly Valves.

- Offered in 304 SS, A307 Zinc Plated, and Galvanized Steel.
- Bolt kits do not include gaskets because Colonial butterfly valves do not require gaskets.
- Packed in corrugated cartons for ease of shipping/handling and organizing at the jobsite.

| Part No. | Valve Size | WGT. (lbs.) | % Change | List |
|----------|------------|-------------|----------|------|
|----------|------------|-------------|----------|------|

| | | | | |
|---------------------------|--------|-------|-----|---------|
| Pricing Schedule VB | | | | |
| Galvanized for BFV | | | | |
| V30BFKG | 2 & 3" | 2.75 | 15% | \$56.64 |
| V40BFKG | 4" | 5.75 | 15% | 116.74 |
| V60BFKG | 6" | 9.30 | 15% | 195.42 |
| V80BFKG | 8" | 11.60 | 15% | 204.54 |
| V100BFKG | 10" | 25.31 | 15% | 511.76 |
| V120BFKG | 12" | 26.26 | 15% | 549.21 |

| | | | | |
|---------------------------------|--------|-------|-----|---------|
| A307 Zinc Plated for BFV | | | | |
| V30BFKZ | 2 & 3" | 2.70 | 15% | \$41.40 |
| V40BFKZ | 4" | 5.30 | 15% | 73.56 |
| V60BFKZ | 6" | 9.30 | 15% | 142.54 |
| V80BFKZ | 8" | 10.55 | 15% | 156.35 |
| V100BFKZ | 10" | 24.31 | 15% | 365.56 |
| V120BFKZ | 12" | 25.50 | 15% | 402.35 |

| | | | | |
|------------------------------|--------|-------|----|---------|
| 304 Stainless for BFV | | | | |
| V30BFKS | 2 & 3" | 2.70 | 5% | \$88.42 |
| V40BFKS | 4" | 5.70 | 5% | 176.84 |
| V60BFKS | 6" | 9.25 | 5% | 305.26 |
| V80BFKS | 8" | 10.40 | 5% | 315.79 |
| V100BFKS | 10" | 25.20 | 5% | 829.47 |
| V120BFKS | 12" | 27.26 | 5% | 884.21 |

NOTE: Stainless Steel bolt threads and nut threads must be lubricated prior to installation to prevent galling. Recommended lubricants: MRO Solutions 1000 Antiseize, Permatex® Anti-Seize Lubricant, Finish Line™ Anti-Seize Assembly Lube, USS Ultra Tef-Gel®, Bostik Never-Seez or equivalent anti-seize products. Hardened steel bolts, such as zinc plated or galvanized, rarely gall. Lubrication is optional for these materials.

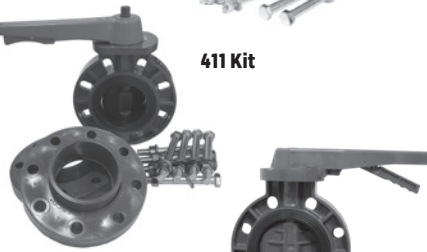
BUTTERFLY VALVES

BUTTERFLY VALVE/FLANGE CONTRACTOR KIT

311 Kit



411 Kit



711 Kit



Contractor Kit — Includes PVC Butterfly Valve, Two Lasco PVC Van-stone Flanges, and Bolt set. All packed in one heavy-duty corrugated carton for delivery to jobsite. One convenient part number ensures that all materials will be delivered. See the chart to determine the part number by choosing the size and series of the Butterfly valve, and the material of the bolt kit.

- PVC Butterfly Valve
- Two Lasco PVC Van Stone Flanges
- Bolt Set

| Part No. | Size | BFV Series | Bolt Set Type | % Change | List |
|----------|------|------------|---------------|----------|------|
|----------|------|------------|---------------|----------|------|

Kit to Include 411N Series PVC/EPDM BFV With Molded Polypro Lever Handle

Pricing Schedule VK

| | | | | | |
|-----------|---|-----|------------|----|----------|
| KIT20411G | 2 | 411 | Galvanized | 5% | \$510.53 |
| KIT20411Z | 2 | 411 | Zinc | 5% | 495.25 |
| KIT20411S | 2 | 411 | Stainless | 5% | 553.35 |

| | | | | | |
|-----------|-------|-----|------------|----|----------|
| KIT27411G | 2-1/2 | 411 | Galvanized | 5% | \$580.91 |
| KIT27411Z | 2-1/2 | 411 | Zinc | 5% | 565.91 |
| KIT27411S | 2-1/2 | 411 | Stainless | 5% | 628.35 |

| | | | | | |
|-----------|---|-----|------------|----|----------|
| KIT30411G | 3 | 411 | Galvanized | 5% | \$566.87 |
| KIT30411Z | 3 | 411 | Zinc | 5% | 551.56 |
| KIT30411S | 3 | 411 | Stainless | 5% | 609.72 |

| | | | | | |
|-----------|---|-----|------------|----|----------|
| KIT40411G | 4 | 411 | Galvanized | 5% | \$718.64 |
| KIT40411Z | 4 | 411 | Zinc | 5% | 671.37 |
| KIT40411S | 4 | 411 | Stainless | 5% | 822.43 |

| | | | | | |
|-----------|---|-----|------------|----|------------|
| KIT60411G | 6 | 411 | Galvanized | 5% | \$1,096.67 |
| KIT60411Z | 6 | 411 | Zinc | 5% | 1,058.35 |
| KIT60411S | 6 | 411 | Stainless | 5% | 1,345.63 |

| | | | | | |
|-----------|---|-----|------------|----|------------|
| KIT80411G | 8 | 411 | Galvanized | 5% | \$1,670.33 |
| KIT80411Z | 8 | 411 | Zinc | 5% | 1,641.38 |
| KIT80411S | 8 | 411 | Stainless | 5% | 2,089.43 |

See complete kit description at left.

NOTE: Stainless Steel bolt threads and nut threads must be lubricated prior to installation to prevent galling. Recommended lubricants: MRO Solutions 1000 Antiseize, Permatex® Anti-Seize Lubricant, Finish Line™ Anti-Seize Assembly Lube, USS Ultra Tef-Gel®, Bostik Never-Seez or equivalent anti-seize products. Hardened steel bolts, such as zinc plated or galvanized, rarely gall. Lubrication is optional for these materials.

| Part No. | Size | BFV Series | Bolt Set Type | % Change | List |
|----------|------|------------|---------------|----------|------|
|----------|------|------------|---------------|----------|------|

Kit to Include 311N Series PVC/EPDM BFV With Coated Metal Steel Lever Handle

Pricing Schedule VK

| | | | | | |
|-----------|---|-----|------------|----|----------|
| KIT30311G | 3 | 311 | Galvanized | 5% | \$590.26 |
| KIT30311Z | 3 | 311 | Zinc | 5% | 574.91 |
| KIT30311S | 3 | 311 | Stainless | 5% | 633.99 |

| | | | | | |
|-----------|---|-----|------------|----|----------|
| KIT40311G | 4 | 311 | Galvanized | 5% | \$746.93 |
| KIT40311Z | 4 | 311 | Zinc | 5% | 703.45 |
| KIT40311S | 4 | 311 | Stainless | 5% | 856.05 |

| | | | | | |
|-----------|---|-----|------------|----|------------|
| KIT60311G | 6 | 311 | Galvanized | 5% | \$1,157.88 |
| KIT60311Z | 6 | 311 | Zinc | 5% | 1,118.94 |
| KIT60311S | 6 | 311 | Stainless | 5% | 1,518.88 |

Kit to Include 711N Series PVC/EPDM BFV With Molded Blue ABS Lever Handle

Pricing Schedule VK

| | | | | | |
|-----------|---|---|------------|----|----------|
| KIT20711G | 2 | 1 | Galvanized | 5% | \$425.04 |
| KIT20711Z | 2 | 1 | Zinc | 5% | 409.75 |
| KIT20711S | 2 | 1 | Stainless | 5% | 467.84 |

| | | | | | |
|-----------|---|-----|------------|----|----------|
| KIT30711G | 3 | 711 | Galvanized | 5% | \$456.08 |
| KIT30711Z | 3 | 711 | Zinc | 5% | 446.16 |
| KIT30711S | 3 | 711 | Stainless | 5% | 495.73 |

| | | | | | |
|-----------|---|-----|------------|----|----------|
| KIT40711G | 4 | 711 | Galvanized | 5% | \$654.77 |
| KIT40711Z | 4 | 711 | Zinc | 5% | 607.09 |
| KIT40711S | 4 | 711 | Stainless | 5% | 747.69 |

| | | | | | |
|-----------|---|-----|------------|----|------------|
| KIT60711G | 6 | 711 | Galvanized | 5% | \$1,022.27 |
| KIT60711Z | 6 | 711 | Zinc | 5% | 944.41 |
| KIT60711S | 6 | 711 | Stainless | 5% | 1,286.25 |

| | | | | | |
|-----------|---|-----|------------|----|------------|
| KIT80711G | 8 | 711 | Galvanized | 5% | \$1,481.82 |
| KIT80711Z | 8 | 711 | Zinc | 5% | 1,464.95 |
| KIT80711S | 8 | 711 | Stainless | 5% | 1,896.32 |

Pressure ratings are for non-shock water at 73°F.

601N SERIES WAFER CHECK VALVE 2-1/2" - 8"



- Compact – requires little space in piping systems
- **No spacers required – Disc opens fully when installed using ANSI Sch 80 flanges/pipe**
- Light weight, easy to install – wafer body slips between standard Sch 80 flanges
- Working pressure 145 psi, non-shock water at 73°F
- Horizontal or Vertical Operation
- Replaceable O-Rings
- Vacuum rating: 29.9 Hg (inches mercury)
- Equipped with SS Spring
- Spring dampens the opening and closing action, avoiding water hammer
- Bubble tight seal with only 0.02 PSI back pressure



| Part No. | Size | Ctn. Qty. | %Change | List |
|--|-------|-----------|---------|----------|
| PVC/EPDM with 316 SS SPRING: Pricing Schedule VA | | | | |
| V27601N | 2-1/2 | 1 | | \$473.73 |
| V30601N | 3 | 1 | | 531.34 |
| V40601N | 4 | 1 | | 679.64 |
| V60601N | 6 | 1 | | 1,025.24 |
| V80601N | 8 | 1 | | 1,407.86 |
| PVC/VITON with 316 SS SPRING: Pricing Schedule VA | | | | |
| V27602N | 2-1/2 | 1 | | \$568.79 |
| V30602N | 3 | 1 | | 637.89 |
| V40602N | 4 | 1 | | 816.46 |
| V60602N | 6 | 1 | | 1,231.16 |
| V80602N | 8 | 1 | | 1,739.96 |

WAFER CHECK VALVE CONTRACTOR KITS AND BOLT SETS



Includes Wafer Check, two PVC flanges*, and properly-sized bolt set.

One convenient part number ensures that all materials will be delivered.

*Van Stone Flange

| WAFER CHECK CONTRACTOR KITS | | | | | WAFER CHECK BOLT SETS | | | | |
|---|-------|-----------|---------|----------|---|-------|-----------|---------|----------------|
| Part No. | Size | Ctn. Qty. | %Change | List | Part No. | Size | Ctn. Qty. | %Change | List |
| PVC/EPDM / 304 SS Bolt Set: Pricing Schedule VK | | | | | 304 Stainless Steel: Pricing Schedule VB | | | | |
| KIT27601S | 2-1/2 | 1 | | \$591.94 | V30WCKS | 2-1/2 | 1 | 5% | \$74.04 |
| KIT30601S | 3 | 1 | | 676.46 | V30WCKS | 3 | 1 | 5% | 74.04 |
| KIT40601S | 4 | 1 | | 925.64 | V40WCKS | 4 | 1 | 5% | 141.94 |
| KIT60601S | 6 | 1 | | 1,446.84 | V60WCKS | 6 | 1 | 5% | 253.01 |
| KIT80601S | 8 | 1 | | 1,947.43 | V80WCKS | 8 | 1 | 5% | 401.13 |
| PVC/EPDM / Galvanized Bolt Set: Pricing Schedule VK | | | | | Galvanized: Pricing Schedule VB | | | | |
| KIT27601G | 2-1/2 | 1 | | \$547.49 | V30WCKG | 2-1/2 | 1 | 15% | \$39.76 |
| KIT30601G | 3 | 1 | | 632.03 | V30WCKG | 3 | 1 | 15% | 39.76 |
| KIT40601G | 4 | 1 | | 837.36 | V40WCKG | 4 | 1 | 15% | 73.19 |
| KIT60601G | 6 | 1 | | 1,268.24 | V60WCKG | 6 | 1 | 15% | 109.89 |
| KIT80601G | 8 | 1 | | 1,688.79 | V80WCKG | 8 | 1 | 15% | 170.13 |
| PVC/VITON / 304 SS Bolt Set: Pricing Schedule VK | | | | | NOTE: Stainless Steel bolt threads and nut threads must be lubricated prior to installation to prevent galling. Recommended lubricants: MRO Solutions 1000 Antiseize, Permatex® Anti-Seize Lubricant, Finish Line™ Anti-Seize Assembly Lube, USS Ultra Tef-Gel®, Bostik Never-Seez or equivalent anti-seize products. Hardened steel bolts, such as zinc plated or galvanized, rarely gall. Lubrication is optional for these materials. | | | | |
| KIT27602S | 2-1/2 | 1 | | \$683.34 | | | | | |
| KIT30602S | 3 | 1 | | 778.96 | | | | | |
| KIT40602S | 4 | 1 | | 1,057.21 | | | | | |
| KIT60602S | 6 | 1 | | 1,644.90 | | | | | |
| KIT80602S | 8 | 1 | | 2,250.05 | | | | | |
| PVC/VITON / Galvanized Bolt Set: Pricing Schedule VK | | | | | | | | | |
| KIT27602G | 2-1/2 | 1 | | \$638.91 | | | | | |
| KIT30602G | 3 | 1 | | 734.53 | | | | | |
| KIT40602G | 4 | 1 | | 968.94 | | | | | |
| KIT60602G | 6 | 1 | | 1,466.29 | | | | | |
| KIT80602G | 8 | 1 | | 1,991.41 | | | | | |

601NP SERIES WAFER CHECK 10 & 12"

- **No spacer required - Disc opens fully when installed using ANSI SCH 80 Flanges/Pipe**

- Compact - requires little spacing in piping systems
- Working pressure 87 psi for 10 & 12"
- Horizontal or vertical position
- Replaceable O-rings
- Vacuum rating: 29.9 Hg
- 316 SS Spring dampens the opening and closing action, avoiding water hammer
- Pressure to open 0.3 psi, back pressure to close 1.0 psi
- EPDM gaskets included



| Part No. | Size | Desc. | % Change | List |
|--|------|---|----------|------------|
| Pricing Schedule VA | | | | |
| V100601NP | 10 | 10" Wafer Check Valve, PVC/EPDM, with SS spring | | \$2,811.89 |
| V120601NP | 12 | 12" Wafer Check Valve, PVC/EPDM, with SS spring | | 3,951.83 |
| BOLT SETS FOR 10 - 12" WAFER CHECK VALVES | | | | |
| Part No. | Size | Ctn. Qty. | %Change | List |
| Galvanized Steel: Pricing Schedule VB | | | | |
| V100WCKG | 10 | 1 | 15% | \$271.29 |
| V120WCKG | 12 | 1 | 15% | 275.92 |
| BOLT SETS FOR 10 - 12" WAFER CHECK VALVES | | | | |
| Part No. | Size | Ctn. Qty. | %Change | List |
| 304 Stainless Steel: Pricing Schedule VB | | | | |
| V100WCKS | 10 | 1 | 5% | \$617.13 |
| V120WCKS | 12 | 1 | 5% | 662.39 |

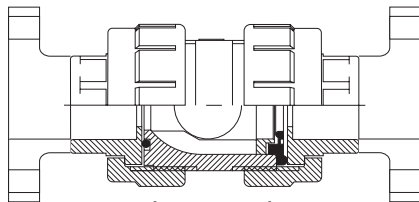
Pressure ratings are for non-shock water at 73°F.

TRUE UNION BALL CHECK VALVE



- Pressure Rating: 235 psi
- For Vertical or Horizontal Installation
- If installing a Ball Check Valve horizontally, a minimum of 5 psi (12' of head) back pressure is needed to maintain seat closure.
- Piston type ball, slides on guides to eliminate chatter in the open position.
- Strainer screen can be added (see next section)
- Silicone-Free Assembly
- Pressure Rating per ASTM F-1970

Note: 3/8" and 1/2" sizes are available (1/2" valves pre-assembled with reducer bushings). Contact Customer Service for part number and pricing.



(Flanged Type)

| Part No. | Size | Ctn. Qty. | %Change | List |
|---|-------|-----------|---------|---------|
| PVC/EPDM: Pricing Schedule VA | | | | |
| Socket and Thread End Connectors | | | | |
| V07271ST | 1/2 | 48 | | \$97.60 |
| V08271ST | 3/4 | 36 | | 116.40 |
| V10271ST | 1 | 24 | | 138.38 |
| V14271ST | 1-1/4 | 12 | | 202.13 |
| V17271ST | 1-1/2 | 12 | | 232.14 |
| V20271ST | 2 | 12 | | 316.92 |

| Part No. | Size | Ctn. Qty. | %Change | List |
|---|-------|-----------|---------|----------|
| PVC/FKM: Pricing Schedule VA | | | | |
| Socket and Thread End Connectors | | | | |
| V07272ST | 1/2 | 48 | | \$110.02 |
| V08272ST | 3/4 | 36 | | 122.86 |
| V10272ST | 1 | 24 | | 154.30 |
| V14272ST | 1-1/4 | 12 | | 226.83 |
| V17272ST | 1-1/2 | 12 | | 257.62 |
| V20272ST | 2 | 12 | | 352.38 |

| Part No. | Size | Ctn. Qty. | %Change | List |
|--------------------------------------|-------|-----------|---------|----------|
| PVC/EPDM: Pricing Schedule VA | | | | |
| Flanged | | | | |
| V07271NF | 1/2 | 1 | | \$119.99 |
| V08271NF | 3/4 | 1 | | 145.60 |
| V10271NF | 1 | 1 | | 172.82 |
| V14271NF | 1-1/4 | 1 | | 212.80 |
| V17271NF | 1-1/2 | 1 | | 294.40 |
| V20271NF | 2 | 1 | | 415.99 |

| Part No. | Size | Ctn. Qty. | %Change | List |
|-------------------------------------|-------|-----------|---------|----------|
| PVC/FKM: Pricing Schedule VA | | | | |
| Flanged | | | | |
| V07272NF | 1/2 | 1 | | \$150.40 |
| V08272NF | 3/4 | 1 | | 180.79 |
| V10272NF | 1 | 1 | | 211.20 |
| V14272NF | 1-1/4 | 1 | | 276.80 |
| V17272NF | 1-1/2 | 1 | | 319.98 |
| V20272NF | 2 | 1 | | 425.58 |

| Part No. | Size | Ctn. Qty. | %Change | List |
|---|-------|-----------|---------|----------|
| CPVC/EPDM: Pricing Schedule VA | | | | |
| Socket and Thread End Connectors | | | | |
| V07273ST | 1/2 | 48 | | \$151.84 |
| V08273ST | 3/4 | 36 | | 181.74 |
| V10273ST | 1 | 24 | | 214.43 |
| V14273ST | 1-1/4 | 12 | | 369.32 |
| V17273ST | 1-1/2 | 12 | | 369.32 |
| V20273ST | 2 | 12 | | 494.56 |

| Part No. | Size | Ctn. Qty. | %Change | List |
|---|-------|-----------|---------|----------|
| CPVC/FKM: Pricing Schedule VA | | | | |
| Socket and Thread End Connectors | | | | |
| V07274ST | 1/2 | 48 | | \$169.03 |
| V08274ST | 3/4 | 36 | | 201.97 |
| V10274ST | 1 | 24 | | 238.23 |
| V14274ST | 1-1/4 | 12 | | 409.99 |
| V17274ST | 1-1/2 | 12 | | 409.99 |
| V20274ST | 2 | 12 | | 549.62 |

| Part No. | Size | Ctn. Qty. | %Change | List |
|---------------------------------------|-------|-----------|---------|----------|
| CPVC/EPDM: Pricing Schedule VA | | | | |
| Flanged | | | | |
| V07273NF | 1/2 | 1 | | \$165.06 |
| V08273NF | 3/4 | 1 | | 197.04 |
| V10273NF | 1 | 1 | | 234.09 |
| V14273NF | 1-1/4 | 1 | | 397.16 |
| V17273NF | 1-1/2 | 1 | | 424.42 |
| V20273NF | 2 | 1 | | 751.13 |

| Part No. | Size | Ctn. Qty. | %Change | List |
|--------------------------------------|-------|-----------|---------|----------|
| CPVC/FKM: Pricing Schedule VA | | | | |
| Flanged | | | | |
| V07274NF | 1/2 | 1 | | \$205.81 |
| V08274NF | 3/4 | 1 | | 250.86 |
| V10274NF | 1 | 1 | | 289.69 |
| V14274NF | 1-1/4 | 1 | | 491.79 |
| V17274NF | 1-1/2 | 1 | | 530.51 |
| V20274NF | 2 | 1 | | 805.01 |

Note: Addition of Flanged Ends Reduces Pressure Rating to 150 psi

FOOT VALVE STRAINER FOR TRUE UNION BALL CHECKS



Replaces the Union Nut on the upstream side of the True Union Ball Check Valve (**sold separately**).

Install the assembly vertically with strainer side down. Prevents debris from entering the fluid stream of a suction pipeline. Valve opens when suction is activated. Ball then seats to close the valve when suction is not present.

| Part No. | Size | Ctn. Qty. | %Change | List |
|---------------------------------|---------|-----------|---------|---------|
| PVC: Pricing Schedule VA | | | | |
| V07271P | 1/2 | 1 | | \$23.97 |
| V08271P | 3/4 | 1 | | 31.94 |
| V10271P | 1 | 1 | | 37.93 |
| V17271P | 1-1/4 | 1 | | 51.90 |
| | & 1-1/2 | | | |
| V20271P | 2 | 1 | | 67.88 |

| Part No. | Size | Ctn. Qty. | %Change | List |
|----------------------------------|---------|-----------|---------|---------|
| CPVC: Pricing Schedule VA | | | | |
| V07273P | 1/2 | 1 | | \$37.83 |
| V08273P | 3/4 | 1 | | 50.43 |
| V10273P | 1 | 1 | | 58.82 |
| V17273P | 1-1/4 | 1 | | 81.98 |
| | & 1-1/2 | | | |
| V20273P | 2 | 1 | | 107.27 |

SINGLE UNION BALL CHECK VALVES SOCKET X SOCKET

- For Vertical or Horizontal Installation
- If installing a Ball Check Valve horizontally, a minimum of 5 psi (12' of head) back pressure is needed to maintain seat closure
- PP available by special order
- Pressure Rating per ASTM F-1970
- Silicone-Free Assembly
- Pressure Rating:
 - PVC and CPVC
 - 235 psi 1/2 - 2"
 - 150 psi 2-1/2"
 - 100 psi 3 - 4"



| Part No. | Size | Ctn. Qty. | %Change | List |
|--|-------|-----------|---------|----------|
| PVC w/EPDM O-Rings S x S: Pricing Schedule VA | | | | |
| V27221B1 | 2-1/2 | 8 | | \$638.39 |
| V30221B1 | 3 | 6 | | 816.81 |
| V40221B1 | 4 | 4 | | 939.74 |

| Part No. | Size | Ctn. Qty. | %Change | List |
|---|-------|-----------|---------|----------|
| CPVC w/EPDM O-Rings S x S: Pricing Schedule VA | | | | |
| V27223B | 2-1/2 | 8 | | \$825.02 |
| V30223B | 3 | 6 | | 928.39 |
| V40223B | 4 | 4 | | 1,639.52 |

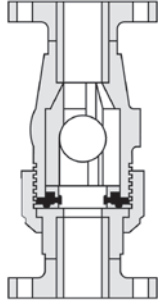
| Part No. | Size | Ctn. Qty. | %Change | List |
|---|-------|-----------|---------|----------|
| PVC w/FKM O-Rings S x S: Pricing Schedule VA | | | | |
| V10222B | 1 | 24 | | \$127.91 |
| V17222B | 1-1/2 | 12 | | 209.36 |
| V20222B | 2 | 6 | | 305.61 |
| V27222B | 2-1/2 | 8 | | 739.17 |
| V30222B | 3 | 6 | | 854.03 |
| V40222B | 4 | 4 | | 982.42 |

| Part No. | Size | Ctn. Qty. | %Change | List |
|--|-------|-----------|---------|----------|
| CPVC w/FKM O-Rings S x S: Pricing Schedule VA | | | | |
| V27224B | 2-1/2 | 8 | | \$856.86 |
| V30224B | 3 | 6 | | 965.64 |
| V40224B | 4 | 4 | | 1,899.92 |

Pressure ratings are for non-shock water at 73°F.

FLANGED BALL CHECK 2-1/2 - 4"

- Pressure Rating: 150 psi
- ANSI Class 150 Flange
- If installing a Ball Check Valve horizontally, a minimum of 5 psi (12' of head) back pressure is needed to maintain seat closure



| Part No. | Size | Ctn. Qty. | %Change | List |
|---|-------|-----------|------------|------|
| PVC w/EPDM O-Rings F x F: Pricing Schedule VA | | | | |
| V27241B | 2-1/2 | 1 | \$944.99 | |
| V30241B | 3 | 1 | 1,293.24 | |
| V40241B | 4 | 1 | 1,624.64 | |
| CPVC w/EPDM O-Rings F x F: Pricing Schedule VA | | | | |
| V27243B | 2-1/2 | 1 | \$1,333.29 | |
| V30243B | 3 | 1 | 1,664.64 | |
| V40243B | 4 | 1 | 2,439.22 | |

| Part No. | Size | Ctn. Qty. | %Change | List |
|--|-------|-----------|------------|------|
| PVC w/FKM O-Rings F x F: Pricing Schedule VA | | | | |
| V27242B | 2-1/2 | 1 | \$976.80 | |
| V30242B | 3 | 1 | 1,330.49 | |
| V40242B | 4 | 1 | 1,755.06 | |
| CPVC w/FKM O-Rings F x F: Pricing Schedule VA | | | | |
| V27244B | 2-1/2 | 1 | \$1,365.10 | |
| V30244B | 3 | 1 | 1,701.89 | |
| V40244B | 4 | 1 | 2,481.87 | |

FOOT VALVE STRAINER FOR SINGLE UNION BALL CHECK

- Pressure Rating: 150 psi

Shown assembled with Single Union Ball Valve. **(sold separately)**



| Part No. | Size | Ctn. Qty. | %Change | List |
|---------------------------------|-------|-----------|---------|------|
| PVC: Pricing Schedule VA | | | | |
| V08221P | 3/4 | 1 | \$30.27 | |
| V17221P | 1-1/2 | 1 | 45.38 | |
| V20221P1 | 2 | 1 | * | |
| V27221P1 | 2-1/2 | 1 | * | |
| V30221P1 | 3 | 1 | * | |
| V40221P1 | 4 | 1 | * | |

* Call for pricing.

Available in sizes 3/4 - 2" in PVC. Replaces the union end of the single union ball check valve. Installs vertically with strainer side down. Prevents debris from entering the fluid stream of a suction pipeline. Valve opens when suction is activated. Ball then seats to close the valve when suction is not present.

SCH 40 GRAY SWING CHECK VALVE

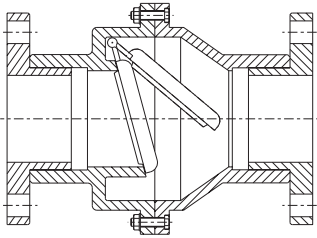
Two-piece body design joined with 304 SS fasteners, and an EPDM gasket. EPDM seal weighted with PVC disc.



- 150 psi in Open Position. 75 psi in the closed position.
- Gravity-based closure (no spring). The open position allows for unobstructed continuous flow with minimal head loss.
- Minimum opening pressure less than 0.5 PSI
- Horizontal Installation Only.

| Part No. | Size | Ctn. Qty. | %Change | List |
|--|-------|-----------|---------|----------------|
| White PVC/EPDM: Pricing Schedule VA | | | | |
| Soc x Soc | | | | |
| V10611N | 1 | 80 | | \$26.98 |
| Gray PVC/EPDM: Pricing Schedule VA | | | | |
| Soc x Soc with S.S. Fasteners | | | | |
| V08611G | 3/4 | 108 | 10% | \$35.12 |
| V10611G | 1 | 72 | 10% | 38.66 |
| V14611G | 1-1/4 | 36 | 10% | 48.30 |
| V17611G | 1-1/2 | 30 | 10% | 52.68 |
| V20611G | 2 | 24 | 10% | 64.97 |
| V27611N | 2-1/2 | 16 | 10% | 136.29 |
| V30611N | 3 | 8 | 10% | 167.89 |
| V40611N | 4 | 6 | 10% | 325.90 |

FLANGED SWING CHECK VALVE



- Flange x Flange design allows for removal from the piping system for maintenance, or replacement.
- ANSI Class 150 Flange pattern
- Pressure rated to 150 psi in the open position, 75 psi in the closed position.
- PVC body and flange, 304 SS fasteners
- Body can be disassembled for maintenance
- Minimum opening pressure less than 0.5 PSI
- Horizontal Installation Only.

| Part No. | Size | Ctn. Qty. | %Change | List |
|--------------------------------------|-------|-----------|---------|-----------------|
| PVC/EPDM: Pricing Schedule VA | | | | |
| V17611NF | 1-1/2 | 1 | 10% | \$136.29 |
| V20611NF | 2 | 1 | 10% | 235.04 |
| V30611NF | 3 | 1 | 10% | 464.19 |
| V40611NF | 4 | 1 | 10% | 1,076.49 |

Gravity-based closure (no spring). The open position allows for unobstructed continuous flow with minimal head loss.

SPRING CHECK VALVES

- Pressure Rating: 100 psi
- Stainless steel spring maintains a positive seal even when no back pressure is present. 2 psi minimum flow pressure is required to open valve.



| Part No. | Size | Ctn. Qty. | %Change | List |
|--------------------------------------|-------|-----------|---------|----------------|
| PVC/EPDM: Pricing Schedule VA | | | | |
| Soc x Soc | | | | |
| V07221B | 1/2 | 120 | 10% | \$18.97 |
| V08221B | 3/4 | 120 | 10% | 20.37 |
| V10221B | 1 | 80 | 10% | 30.14 |
| V14221B | 1-1/4 | 60 | 10% | 40.31 |
| V17221B | 1-1/2 | 30 | 10% | 41.57 |
| V20221B | 2 | 20 | 10% | 50.04 |

| Part No. | Size | Ctn. Qty. | %Change | List |
|--------------------------------------|-------|-----------|---------|----------------|
| PVC/EPDM: Pricing Schedule VA | | | | |
| Threaded x Threaded | | | | |
| V07221T | 1/2 | 120 | 10% | \$18.97 |
| V08221T | 3/4 | 120 | 10% | 20.37 |
| V10221T | 1 | 80 | 10% | 30.14 |
| V14221T | 1-1/4 | 60 | 10% | 40.31 |
| V17221T | 1-1/2 | 30 | 10% | 41.57 |
| V20221T | 2 | 20 | 10% | 50.04 |

Pressure ratings are for non-shock water at 73°F.

AIR RELEASE / VACUUM BREAKER VALVE 1" & 2" MPT



- Allows for evacuation of air while filling the pipeline or tank.
- Allows for intake of air while draining the pipeline or tank, to prevent against vacuum formation.
- Pressure rating 150 psi
- Durable GF PA Body, Polypro internal float, PP Elbow, EPDM Seals
- Features internal insect-screen, accessible with removal of elbow
- 1" Size has 3/4" female thread on elbow, 2" Size has 1-1/2" female thread on elbow.

| Part No. | Size | Ctn. Qty. | %Change | List |
|---|------|-----------|---------|----------------|
| Glass reinforced polyamid/PP/EPDM With MPT Connection: Pricing Schedule VA | | | | |
| V10527N | 1 | 40 | 10% | \$88.89 |
| V20527N | 2 | 15 | 10% | 183.33 |

CONTINUOUS-ACTING (COMBINED) AIR RELEASE / VACUUM BREAKER VALVE 1" & 2" MPT



- Allows for evacuation of air while filling the pipeline or tank, and the continuous-release of air pockets from pressurized pipes, via a secondary orifice.
- Allows for intake of air while draining the pipeline or tank, to prevent against vacuum formation.
- Pressure rating 150 psi

| Part No. | Size | Ctn. Qty. | %Change | List |
|--|------|-----------|---------|-----------------|
| Glass reinforced polyamid body, EPDM seals, MPT connection: Pricing Schedule VA | | | | |
| V10527CA | 1 | 20 | 10% | \$127.78 |
| V20527CA | 2 | 10 | 10% | 264.44 |

PVC SCH 80 UNION

- Pressure Rating: 235 psi 1/2" - 2"



| Part No. | Size | Ctn. Qty. | %Change | List |
|---|-------|-----------|---------|---------|
| PVC SOC x SOC w/FKM: Pricing Schedule VU | | | | |
| 857-005 | 1/2 | 10/160 | | \$20.49 |
| 857-007 | 3/4 | 10/160 | | 26.03 |
| 857-010 | 1 | 10 | | 29.70 |
| 857-015 | 1-1/2 | 10 | | 66.82 |
| 857-020 | 2 | 10 | | 86.47 |
| PVC FPT x FPT w/FKM: Pricing Schedule VU | | | | |
| 858-010 | 1 | 10 | | 49.60 |
| 858-015 | 1-1/2 | 10 | | 117.92 |
| 858-020 | 2 | 10 | | 192.14 |

| Part No. | Size | Ctn. Qty. | %Change | List |
|--|-------|-----------|---------|---------|
| PVC SOC x SOC w/EPDM: Pricing Schedule VU | | | | |
| 897-005 | 1/2 | 10/160 | | \$20.20 |
| 897-007 | 3/4 | 10/160 | | 25.70 |
| 897-010 | 1 | 10 | | 29.42 |
| 897-015 | 1-1/2 | 10 | | 65.97 |
| 897-020 | 2 | 10 | | 89.53 |
| PVC FPT x FPT w/EPDM: Pricing Schedule VU | | | | |
| 898-010 | 1 | 10 | | 44.64 |
| 898-015 | 1-1/2 | 10 | | 106.13 |
| 898-020 | 2 | 10 | | 172.93 |

Y-STRAINER

- Pressure Rating: 150 psi

Equipped with 20 Mesh PP Screen. 20 Mesh and 40 Mesh SS Screen available in select sizes.



| Part No. | Size | Ctn. Qty. | %Change | List |
|--|-------|-----------|---------|---------|
| PVC w/EPDM O-Rings: Pricing Schedule VB | | | | |
| Socket | | | | |
| V07281B | 1/2 | 24 | | \$83.52 |
| V08281B | 3/4 | 24 | | 93.27 |
| V10281B | 1 | 24 | | 103.03 |
| V17281B | 1-1/2 | 12 | | 186.57 |
| V20281B | 2 | 9 | | 234.26 |

| Part No. | Size | Ctn. Qty. | %Change | List |
|--|-------|-----------|---------|---------|
| PVC w/ Viton O-Rings: Pricing Schedule VB | | | | |
| Socket | | | | |
| V07282B | 1/2 | 24 | | \$87.91 |
| V08282B | 3/4 | 24 | | 98.18 |
| V10282B | 1 | 24 | | 108.46 |
| V17282B | 1-1/2 | 12 | | 196.39 |
| V20282B | 2 | 9 | | 246.59 |

Y-STRAINER REPLACEMENT CARTRIDGE

| Part No. | Size | Ctn. Qty. | %Change | List |
|---|------|-------------|---------|---------|
| PVC 20 MESH EPDM O-Ring (SS SCREEN): Pricing Schedule VB | | | | |
| V07281BM | 1/2 | 1 | | \$19.58 |
| V10281BM | 1 | 1 | | 32.64 |
| PVC 40 MESH EPDM O-Ring (SS SCREEN): Pricing Schedule VB | | | | |
| V10281BO | 1 | 1 | | \$32.64 |
| Note: Screens have square openings | | Size | | |
| 20 mesh Stainless Steel | | 0.032" | | |
| 20 mesh Polypropylene | | 0.028" | | |
| 40 mesh Stainless Steel | | 0.016" | | |

| Part No. | Size | Ctn. Qty. | %Change | List |
|--|---------------|-----------|---------|---------|
| CPVC 40 MESH Viton® O-Ring (SS SCREEN): Pricing Schedule VB | | | | |
| V10284BO | 1 | 1 | | \$68.69 |
| V17284BO | 1-1/2 & 1-1/4 | 1 | | 84.27 |
| V20284BO | 2 | 1 | | 109.86 |
| PVC 20 Mesh (PP Screen) EPDM O-Ring: Pricing Schedule VB | | | | |
| V07281PM | 1/2 | 1 | | \$19.58 |
| V08281PM | 3/4 | 1 | | 26.11 |
| V10281PM | 1 | 1 | | 32.64 |
| V17281PM | 1-1/2 | 1 | | 39.17 |
| V20281PM | 2 | 1 | | 52.20 |

| Part No. | Size | Ctn. Qty. | %Change | List |
|--|-------|-----------|---------|---------|
| PVC 20 Mesh (PP Screen) Viton® O-Ring: Pricing Schedule VB | | | | |
| V07282PM | 1/2 | 1 | | \$20.61 |
| V08282PM | 3/4 | 1 | | 27.48 |
| V10282PM | 1 | 1 | | 34.36 |
| V17282PM | 1-1/2 | 1 | | 41.22 |
| V20282PM | 2 | 1 | | 54.94 |
| CPVC 20 Mesh (PP Screen) Viton® O-Ring: Pricing Schedule VB | | | | |
| V17284PM | 1-1/2 | 1 | | \$84.67 |

In-line Y-Strainers protect pumps and other pipeline components by removing solids and sediment. Colonial Y-Strainers are suitable for flow rates of up to 150 gpm, in applications which require infrequent cleaning and in which the process media is environmentally safe. The strainer branch of the Y-Strainer must be pointing downward so that gravity enables the trapping of sediment and debris. The system must be depressurized and drained prior to removing and cleaning or replacing the strainer cartridge.

Colonial recommends the purchase of an extra cartridge with each Y-Strainer so that maintenance time can be reduced.

Pressure ratings are for non-shock water at 73°F.

SLO-CLOSE PLASTIC BALL VALVES

Patented thermoplastic gear driven operating nut rotates 360° to achieve a 90° turn of the ball. The result is slow closure and the elimination of water hammer, while maintaining the positive shut-off and reliable service of a ball valve. Components and internal gears of the Slo-Close system are molded of durable Acetal material, and the Set screw is 316 SS. The system is mounted on Colonial's Full Block True Union Ball Valve, and Super C Sch 80 Compact Valve, both of which have a proven record of quality in industrial process piping, water treatment, commercial plumbing and irrigation markets for over 30 years.

Valve can be actuated by use of a standard Champion Sprinkler Key or Lasco Valve Key. Successfully introduced to the Turf Irrigation market in isolation valve applications, the Slo-Close valve will perform in any industry where the avoidance of water hammer is a priority. **Do not use for throttling (in partially open position).**

See List Price Sheet VPSC for a complete listing of Slo-Close Valves and Accessories.

NOTE: Master distribution of the Slo-Close Series **for the irrigation industry** is offered through:

| | |
|----------------------------------|---------------------|
| Westlake Pipe & Fittings (LASCO) | (731) 772-3180 |
| 414 Morgan Street | (800) 776-2756 |
| Brownsville, TN 38012 | Fax: (731) 772-0835 |



RECOMMENDATIONS TO INSTALLERS AND USERS

Plastic piping systems should be engineered, installed, operated and maintained in accordance with accepted standards and procedures. Suitability for the intended application should be determined and verified by the designer and/or installer. Prior to assembly, all piping components should be inspected for damage or irregularities, and for the proper fit of mating components. The published instructions of the manufacturers of all attributes of the piping system (including but not limited to: pipe, fittings, valves, solvent cement & primer, thread sealant or Teflon tape) must be followed. All design, installation, operation and maintenance personnel must be trained on the proper precautions, use, handling, and installation of thermoplastic piping systems prior to use. A NOTE ON VALVE SELECTION: Ball Valves are designed for On/Off service and are NOT SUITABLE for throttling in a semi-closed position. Butterfly Valves ARE SUITABLE for both throttling and for On/Off service. For complete installation advice, please visit <http://www.colonialengineering.com>

For Temperature and Pressure De-Rating Information See Page 3.

MATERIALS FOR O-RINGS AND VALVE SEATS

The information on this page has been supplied to Colonial Engineering, Inc. by other reputable sources and is to be used ONLY as a guide in selecting equipment for appropriate chemical compatibility. Before permanent installation, test the equipment with the chemicals and under the specific conditions of your application. Colonial Engineering, Inc. does not warrant (neither express nor implied) that the information on this page is complete or that any material is suitable for any purpose.

EPDM – Suitable for most types of irrigation, pool, process piping, and basic water distribution, including chlorinated and salt water, and mild concentrations of a range of chemicals. EPDM Rubber has excellent tear and abrasion resistance and is chemically resistant to a large variety of acids, alkalis, alcohol, and oxidants.

Recommended for: phosphate ester base hydraulic fluids, water, silicone oils and greases, dilute acids, dilute alkalis, ketones, alcohol's and automotive brake fluids.

Not recommended for: petroleum oils or dilutions of hydrocarbons, di-ester base lubricants.

FKM (Viton®) – For use with heavier concentrations of chemicals, sodium hypochlorite (bleach), Ozone, and others. The terms FPM, FKM and Viton® very often cause confusion and lead to incorrect interpretations. All of these designations actually stand for one single base material: fluoro rubber. Viton® is the registered trade mark of DuPont Performance Elastomers.

Recommended for: Petroleum oils, di-ester based lubricants, silicate ester base lubricants, silicone fluids and greases, halogenated hydrocarbons, selected phosphate ester fluids and acids, water.

Not recommended for: ketones, amines, low molecular weight esters and ethers, and hot hydrofluoric or chlorosulfonic acids.

Buna-N (aka Nitrile) – used only for butterfly valves, when they will be exposed to hydrocarbons (examples: methane gas in the mining, landfill, and energy markets, or a solution that contains some concentration of petroleum.)

Buna-N (also known as Nitrile rubber or NBR), is the general term for acrylonitrile butadiene terpolymer. It has good mechanical properties when compared with other elastomers, and high wear resistance. It is not resistant to weathering and ozone.

Recommended for: Aliphatic hydrocarbons (propane, butane, petroleum oil, mineral oil and grease, diesel fuel, fuel oils) vegetable and mineral oils and greases; HFA, HFB and HFC fluids; Dilute acids, alkali and salt solutions at low temperatures; water.

Not recommended for: Fuels of high aromatic content (for flex fuels a special compound must be used); Aromatic hydrocarbons (benzene); Chlorinated hydrocarbons (trichlorethylene); Polar solvents (ketone, acetone, acetic acid, ethylene-ester); Strong acids; Brake fluid with glycol base; Ozone, weather and atmospheric aging.

PTFE (Polytetrafluoroethylene) – Teflon®, used for the seats of Industrial TUBV, Commercial TUBV, Super C Compact, and Industrial MIP ball valves. This nearly insoluble and chemically inert fluorocarbon is used for valve seats. PTFE has a natural lubricating quality and high thermal stability. It has excellent dielectric properties and chemical resistance, low friction, outstanding stability at high temperatures.

TEFLON® is a registered trademark of DuPont. Only DuPont makes Teflon. DuPont™ is a trademark of DuPont and its affiliates. Viton® is a registered trademark of DuPont Performance Elastomers

Pressure ratings are for non-shock water at 73°F.

TERMS AND CONDITIONS OF SALE

These terms and conditions apply to sales of stock valves and pipe fittings within the continental United States. For shipments to Alaska, or for international and offshore shipments, please contact Customer Service for details.

Freight: FOB Colonial warehouse. Prepaid on orders totaling \$1,000 net for one shipment to single destination within the contiguous United States.

Terms of Payment: 2% 35 days, net 45 days. Unauthorized deductions will be charged back to the customer.

Prices: Pricing is subject to change without prior notice. However, prior notification will be given in the event of price changes in the period between order placement and scheduled shipment

Minimum Billing: Invoices will not be issued for less than \$25.00 (net minimum). Orders below net minimum will be billed at minimum plus freight charges. Exception is next-day air orders.

Returned Goods: Material that is being returned must receive prior written notification. Contact Customer Service for information. All returned goods shall be subject to terms and conditions outlined in the return authorization. To cover costs of re-handling and inspection, 20% will be charged on returned merchandise. Returned merchandise must be sent freight prepaid by the customer.

Any items either defective in manufacture or shipped in error will be replaced at no charge to the customer. In either case, please notify the warehouse of origin.

In keeping with general practice, all merchandise is shipped at purchaser's risk. All claims for damage or loss in transit must be filed with the carrier involved. Shipments should be checked for product damage and carton count before signing delivery receipt. A signed bill of lading with no exceptions noted will stand as written acknowledgement of correct count and acceptable condition.

Non-returnable Goods: Certain items that are customized to a customer's specifications are considered non-returnable. In these cases, this fact will be duly noted on both the quotation.

Order Acceptance: All orders are subject to acceptance by Colonial Engineering, Inc. Possession of our catalog or price list by any person is not to be construed as an offer to sell to that person.

Compressed Air Warning: The products in this document are only intended for use in transferring or storing chemically compatible pressurized liquids. Do not test or use products in this document with compressed air or other gases. Doing so is dangerous and could cause injury or great bodily harm should a system fail under compressed air. Only use products that are specifically designed for compressed air/gas service. Call Colonial technical service for more information.

36-Month Limited Warranty: Except as otherwise mandated by law, Colonial Engineering, Inc. (Manufacturer) warrants that its products shall be free from defects in material and workmanship for a period of 36 months from date of shipment.

Manufacturer will provide new replacement units of the same type and size for products proved to have manufacturing defects, for the duration of this warranty, provided that the manufacturer has been given the opportunity to inspect the product alleged to be defective and the installation or use thereof. No warranty is included against any expense for removal, reinstallation or other consequential damages arising from any defect.

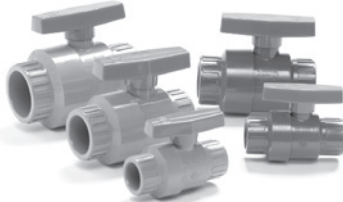
Customer agrees that this warranty shall be effective so long as the goods are used solely for the normal purposes for which they are designed and intended, and in conformance with industry-established engineering, installation, operating, and maintenance specifications, recommendations and instructions. Violation thereof shall void this warranty and relieve the manufacturer from any obligation under this warranty. Manufacturer does not assume, and expressly disclaims any liability due to end-user's failure to comply with said specifications, recommendations and instructions.

The warranties set out above are the only warranties made by the manufacturer and are expressly in lieu of all other warranties, expressed or implied, including the warranties of merchantability or fitness for a particular purpose.

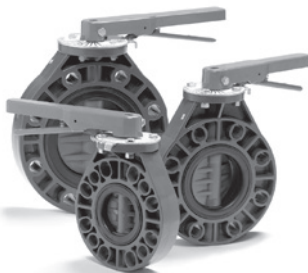




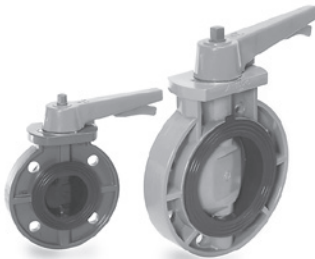
**SLO-CLOSE
BALL VALVES**



SUPER "C"™ BALL VALVES



311N BUTTERFLY VALVES



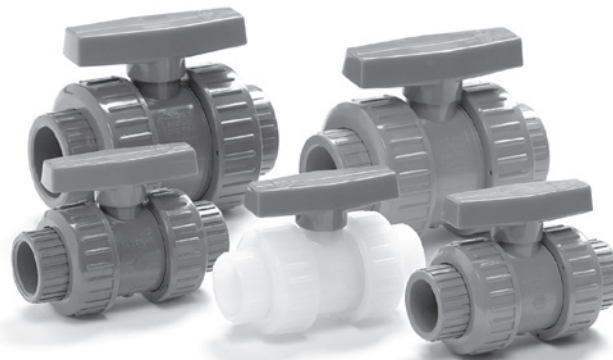
**BUTTERFLY VALVES
(2-8")**



**BUTTERFLY VALVES
(3-24")**



**MIP VALVES
(1/2 - 4")**



FULL BLOCK™ INDUSTRIAL TRUE UNION BALL VALVES



**TRUE UNION BALL CHECK
VALVES**



**SPRING CHECK VALVES & SWING
CHECK VALVES**



AIR RELEASE VALVES



WAFER CHECK VALVE



ACTUATED VALVES



**COMMERCIAL TRUE UNION
BALL VALVES**

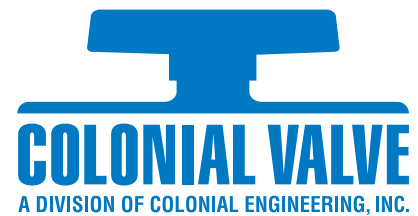
Colonial Valve proudly serves wholesalers in the industrial PVF, process piping, water treatment, pool/spa, commercial plumbing, and irrigation markets.

APPLICATIONS FOR COLONIAL VALVES

- Reverse Osmosis Systems
- Waste Water Treatment
- Pesticide Manufacturing
- Mining
- Chemical Processing
- Swimming Pools/Spas
- Aquariums
- Irrigation
- Metal Finishing and Plating
- Fluid Circulation Systems
- Fertilization
- De-Ionized Water
- Aqua Culture
- Pharmaceutical
- Pulp and Paper Processing
- Photographic Processing Systems
- Food Processing
- Original Equipment Manufactured Products (OEM)
- Wherever Reliable Corrosion-Resistant Flow-Control is Needed



CUSTOM INJECTION MOLDING
Contact customer service for details.



Proven Performance Since 1982