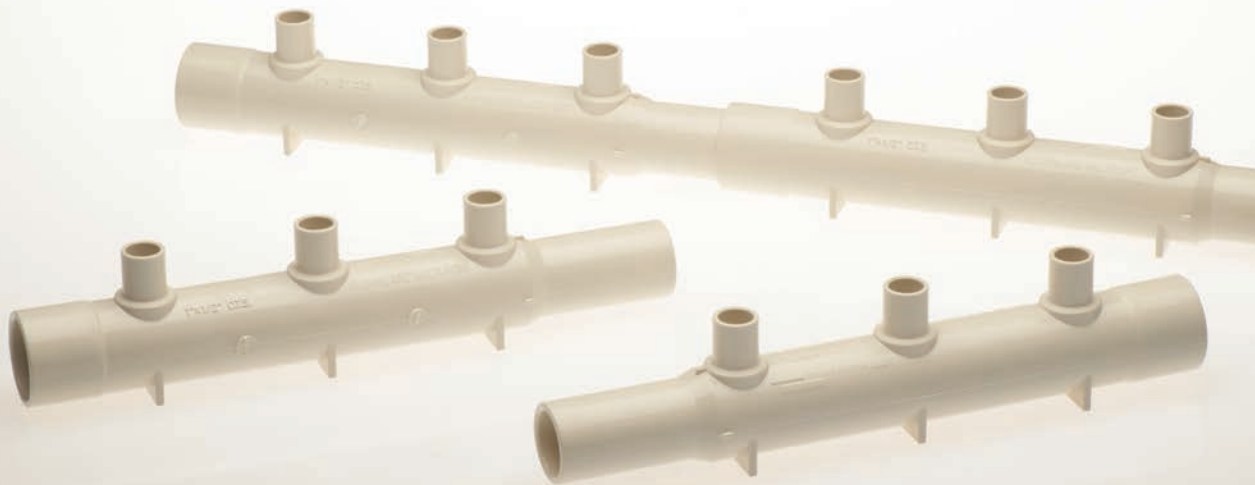


# INTRODUCING THE FLOWGUARD® MULTIPOINT



Manufactured exclusively by Colonial Engineering Inc., the compact FlowGuard® MultiPort is designed to be placed on a one-inch FlowGuard Gold® CPVC main line or hot water recirculating line and features three individual half-inch spigot outlets for distribution.

The flow-through outlet serves as either a 1" FlowGuard Gold CPVC spigot or a ¾" FlowGuard Gold CPVC socket. When more than three outlets are required, multiple FlowGuard MultiPort fittings can be configured together.

Working with CPVC piping, a single FlowGuard MultiPort can support more than 256 different configurations, including direct connection of elbows and tees\* or, if needed, transitioning to other materials.

## FEATURES

- Superior flow properties
- Three, ½" spigot connections
- Multiple fittings can be connected to support additional outlets
- Full CPVC construction
- Colonial Part No. CM10053L
- 3D Files (.rfa and .stp) are available
- Conforms to ASTM D2846

## APPLICATIONS

- Residential
- Multifamily
- Hotels/motels
- LEED and NGBS projects

\* When using elbows or tees with FlowGuard MultiPort be sure to account for expansion and contraction in all directions and that the MultiPort is anchored.

## LESS PRESSURE DROP, MORE CONFIGURATION

In almost all configurations, FlowGuard MultiPort reduces pressure drop compared to PEX manifolds. In many cases, FlowGuard MultiPort with CPVC piping achieves less than half the pressure drop of comparable PEX systems. For a no-compromise mini-manifold system with minimal pressure drop, use the FlowGuard MultiPort with FlowGuard Gold pipes and fittings.

	Equivalent Length**	Calculated Pressure Drop @73F and 8 ft/s**
<b>1" Flow Through</b>		
FlowGuard MultiPort	2.1	0.209
Uponor 1 x 1 x 1/2" 4-port	1.5	0.186
Viega 1 x 1 x 1/2" 6-port	7.2	0.893
<b>3/4" Flow Through</b>		
FlowGuard MultiPort	3.4	0.476
Uponor 1 x 3/4" x 1/2" 4-port	3.0	0.501
Viega 1 x 3/4 x 1/2" 4-port	4.7	0.785
<b>1/2" Branches (Ports)</b>		
FlowGuard MultiPort w/CPVC Piping	3.8	0.874
FlowGuard MultiPort w/F1960 Adapter (Expansion)	5.0	1.154
FlowGuard MultiPort w/F1807 Adapter (Crimp)	6.9	1.587
Uponor 1 x 1 x 1/2" 4-port	7.5	1.898
Viega 1 x 1 x 1/2" 6-port	7.2	1.822

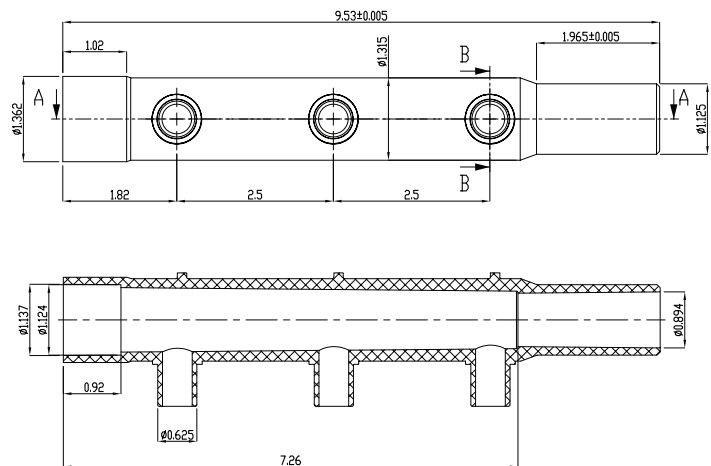
\*\*competitive data taken or calculated from manufacturer's published data

For branch lines, the FlowGuard MultiPort used with FlowGuard Gold piping can reduce pressure drop by more than 50% compared to PEX mini-manifolds.

In flow-through performance, the FlowGuard MultiPort performs comparably to expansion PEX and between 40-80% lower pressure drop compared to crimp or press PEX mini-manifolds.

Make the switch to FlowGuard MultiPort to improve the reliability and performance of your mini-manifold systems. Visit [FlowGuardGold.com](http://FlowGuardGold.com) or call 888-234-2436 to learn more. [FlowGuardGoldInfo@Lubrizol.com](mailto:FlowGuardGoldInfo@Lubrizol.com)

Contact Colonial Engineering for more information on how to purchase FlowGuard MultiPort. 800.374.0234, ext. 3114 or [sales@colonialengineering.com](mailto:sales@colonialengineering.com)



The information contained herein is reliable based on current information but the advertiser makes no representations, guarantees or warranties, express or implied, including any implied warranties of merchantability or fitness for a particular purpose, or regarding the completeness, accuracy, or timeliness of any information. Always consult your manufacturers installation instructions for current recommendations.

© 2021 Lubrizol Advanced Materials, Inc., all rights reserved. FlowGuard® and FlowGuard Gold® are registered trademarks of Lubrizol Corp. All other trademarks are properties of their respective owners. Lubrizol Advanced Materials is a Berkshire Hathaway company. 19-0180300