

- Slo-Close valves are designed for use in the Open or Closed position. Moderate throttling (valve closed slightly) has been successful in systems with low flow rates such as in geexchange systems. Throttling is not recommended for Heavy-Turf Irrigation or other systems with high flow rates, as it can result in cavitation of the valve interior or seat-damage. The maximum recommended flow rate through any Colonial Valve product is five feet per second.
- In buried applications, valves should be installed such that the centerline of the pipe is a minimum of 18" below grade. We recommend a double valve box allowing access to the union nuts to facilitate simple future maintenance or repair.
- **Alternative brass or bronze gate valves for irrigation uses.**
- Thermoplastic construction eliminates process and atmospheric corrosion.
- Permanently sealed, maintenance-free design.
- Pressure rated up to 235 psi, non-shock water at 73° F
- End connections meet ASTM requirement: PVC D 2467
- Bore size = $\varnothing 1.81"$
- Floating ball design for positive seal.
- Dual Stem O-rings for extra protection against leaks.
- Assembled in USA.
- 3 – Year Limited Warranty
- Handle features a cross to accept standard sprinkler key wrench (or Lasco plastic key Valve Key-1) for buried service actuation.



Part Number:
Valve Key-1



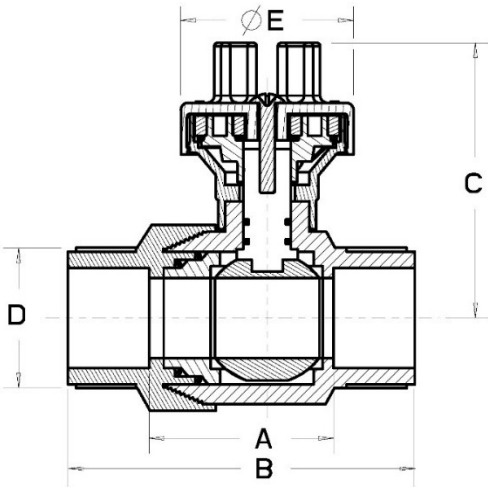
Designed for turf irrigation, and many other applications. Patented gear drive thermoplastic handle mechanism allows for a 360° rotation of the handle to achieve a 90° turn of the ball. This gradual open/close actuation greatly reduces the opportunity for shock or hammer experienced by the sudden open/closure of a standard quarter-turn ball valve.



R-Series also available with purple operating-nut / handle for use with Reclaimed Water (see part numbers on opposite page)



Revised 1/10/24



GPM of water at 1 psi pressure drop, calculated from Hazen-Williams equation.

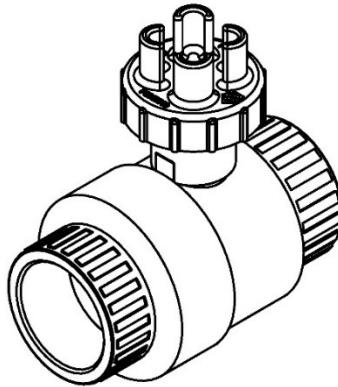
Size	Cv
2"	480

De-rate pressure for elevated process temps per the chart below:

Temp (°F)	PVC
73	1.00
80	0.88
90	0.75
100	0.62
110	0.50
120	0.40
130	0.30
140	0.22
150	NR

Dimensions (in.)

	2"
A	3.08
B	6.58
C	5.05
D	3.06
E	2.88

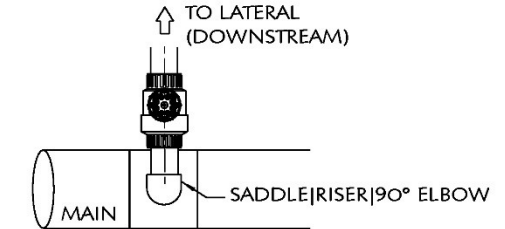


PART NUMBERS FOR VALVES

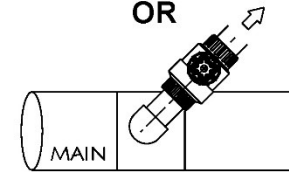
	Material	Part Number	"R" Series with Purple operating nut for Reclaimed water
2"	PVC/EPDM	V20191N-SC	V20191N-SC-R

Pressure Rating	
2"	235 psi, non-shock water at 73° F

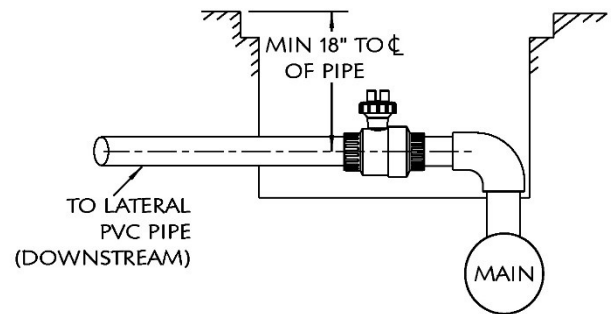
Recommended Installation Layout



OR



Recommended Burial Depth



Sample Engineering Specifications:

Compact Ball Valves shall be produced of PVC Type 1, cell class 12454. Valve handle shall have a gear mechanism allowing for a 360° rotation of the handle to achieve a 90° turn of the ball, and shall be activated manually by hand or by use of an approved key wrench. O-rings shall be made of EPDM material. Valve stem shall have two O-rings. Valve seats shall be made of PTFE and POM material. End connectors shall be PVC Sch 80 Socket. Valves shall have a pressure rating of 235 psi (2") non-shock water at 73° F. **LASCO / Colonial Compact Slo-Close Ball Valve.**

Installation precautions:

- Colonial recommends a minimum installation distance of 5 x the pipe diameter from a pump or other source of turbulence.
- Slo-Close Valves are designed for use in the Open or Closed position. Moderate throttling has been successful in systems with LOW flow rates (< 3 ft per second) such as in geexchange systems. Throttling is not recommended for Heavy-turf irrigation or other systems with high flow rates.
- The maximum recommended flow rate for any Colonial Valve product is 5 feet per second.
- Follow published guidelines to re-rate pressure for elevated process temperature. Avoid prolonged exposure to direct sunlight during and after installation.
- In buried applications, valves should be installed such that the centerline of the pipe is a minimum of 18" below grade.

Do not use with compressed air or gas.

CUSTOMER SERVICE: 6400 Corporate Ave., Portage, MI 49002

Toll-free (800)374 0234, Phone (269)323 2495, Fax (269) 323 0630 www.colonialengineering.com

