

## Features and Benefits

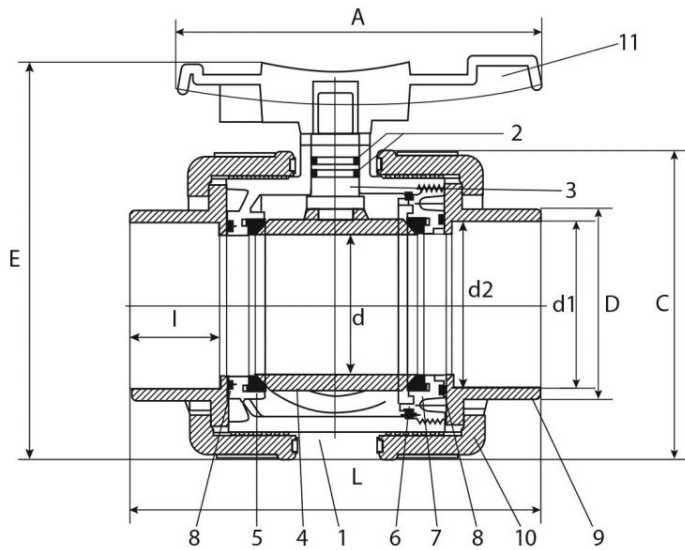
- Lightweight, thermoplastic design resists process and atmospheric corrosion.
- Pressure rating 150 psi max for 1-1/2 - 3", 100 psi for 4" (non- shock water at 73° F).
- Blue PVC impact resistant molded, replaceable handle
- PVC with EPDM o-rings and Santoprene seats.
- 3-year limited warranty
- Features a blocked seat carrier, to prevent blowout if union nut is removed while valve is under pressure in the closed position. Carrier is also adjustable for seat-wear. Seat carrier is threaded into the body. The handle can be removed and used as a spanner wrench to tighten the carrier to adjust for seat wear. It can also be used to unthread the carrier to disassemble the valve.

*NOTE: For industrial and chemical process piping, Colonial recommends the Full Block® Series TUBV with Teflon® Seats..*

Designed for swimming pool, pond, irrigation, tanks and other water applications with lower concentrations of chlorine or other chemical additives. The dimensional chart on this brochure has been updated for the MKIII series, which feature "Colonial III" molded on the handle.



Revised 1/10/2024



Materials

ITEM	DESCRIPTION	MATERIAL
1	Body	PVC
2	Stem o-rings	EPDM
3	Stem	PVC
4	Ball	PVC
5	Seat	SANTOPRENE
6	Carrier o-ring	EPDM
7	Carrier	PVC
8	Face o-rings	EPDM
9	End Connectors	PVC
10	Union Nut	PVC
11	Handle	PVC

Dimensions (Inch)

SIZE	1-1/2"	2"	2-1/2"	3"	4"
I	1.232	1.496	1.614	2.028	2.402
ø d 1	1.912	2.387	2.889	3.516	4.518
ø d 2	1.894	2.369	2.868	3.492	4.491
ø d	1.496	1.890	2.323	2.835	3.780
C	3.740	4.567	5.472	6.693	8.268
E	5.472	6.535	7.480	9.252	10.905
A	4.724	5.748	7.008	8.268	9.843
L	5.748	6.732	8.268	9.685	11.142
D	2.441	2.972	3.484	4.173	5.157

Temperature / pressure de-rating

Temp (°F)	PVC
73	1.00
80	.88
90	.75
100	.62
110	.50
120	.40
130	.30
140	.22
150	NR
160	NR

Size	Part Number	Master Ctn Qty	Working Pressure*	Replacement Handles
Socket & Threaded End Connectors				
1-1/2"	V17801N	24	150 psi	V17801K
2"	V20801N	12	150 psi	V20801K
2-1/2"	V27801N	6	150 psi	V27801K
Soc x Soc				
3"	V30801N	4	150 psi	V30801K
4"	V40801N	1	100 psi	V40801K
TxT				
3"	V30811N	4	150 psi	V30801K
4"	V40811N	1	100 psi	V40801K

\*non-shock water at 73°F

Note: for use with fluid transfer piping systems only. Not for use with compressed air or gas.

