

Features and Benefits

- Thermoplastic design eliminates process and atmospheric corrosion.
- Pressure rated up to 150 psi, non-shock water at 73° F
- 100% Leak Tested
- Socket dimensions meet all ASTM requirements.
PVC: D-2467, D-2464
CPVC: F-439, F437
- Replacement handle kits available.
- PTFE Seats & FKM O-rings to handle hydrocarbons and corrosive fluids.



Industrial MIP Compact Valves answer the need for an economically priced compact quarter turn ball valve for use in applications requiring high corrosion-resistance, and up to 150 psi working pressure. Available in 1/2" & 3/4" sizes in PVC and CPVC.



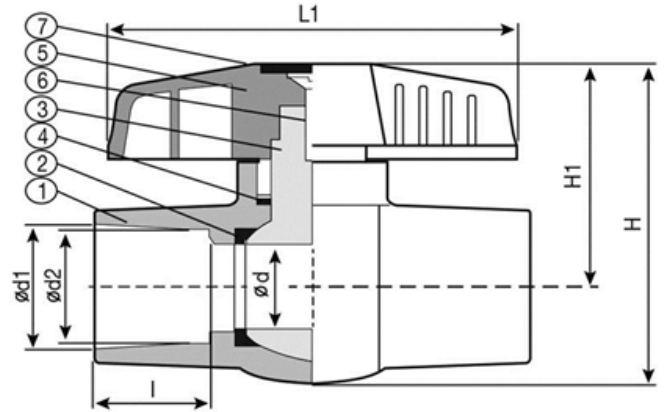
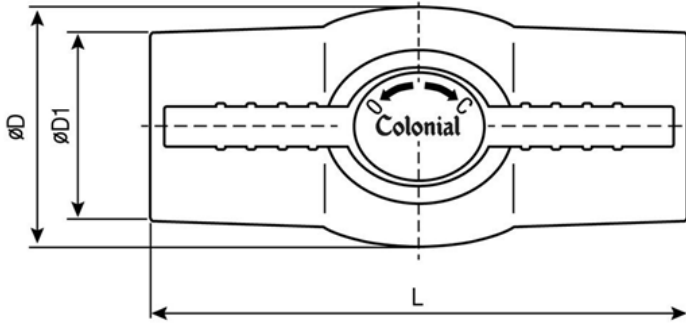
PTFE Seats and FKM O-rings for increased corrosion-resistance and extended service life

Revised 1/8/21

Part Numbers

| Size | Gray PVC / FKM SxS | Gray PVC / FKM TxT | Light Gray CPVC / FKM SxS | Light Gray CPVC / FKM TxT |
|------|--------------------|--------------------|---------------------------|---------------------------|
| 1/2 | V07692N | V07792N | V07694N | V07794N |
| 3/4 | V08692N | V08792N | V08694N | V08794N |

For fluid handling only. Do not used with compressed air or gas



Dimensions (inches)

| | 1/2" | 3/4" |
|----|-------|-------|
| d1 | 0.848 | 1.058 |
| d2 | 0.836 | 1.046 |
| I | 0.875 | 1.000 |
| D | 1.496 | 1.929 |
| D1 | 1.181 | 1.496 |
| d | 0.551 | 0.787 |
| L | 3.268 | 3.740 |
| L1 | 2.756 | 3.465 |
| H | 2.441 | 3.071 |
| H1 | 1.693 | 2.126 |

Materials

| No | Part | Material | Qty |
|----|--------|-------------------|-----|
| 1 | Body | PVC, CPVC | 1 |
| 2 | Seat | PTFE | 2 |
| 3 | Ball | PVC, CPVC | 1 |
| 4 | O-ring | FKM | 1 |
| 5 | Handle | ABS | 1 |
| 6 | Bolt | Zinc Plated Steel | 1 |
| 7 | Cap | ABS | 1 |

Pressure rated up to 150 psi, non-shock water at 73° F.

Temperature / pressure de-rating table

| Temp (°F) | PVC | CPVC |
|-----------|------|------|
| 73 | 1.00 | 1.00 |
| 80 | 0.88 | 0.96 |
| 90 | 0.75 | 0.92 |
| 100 | 0.62 | 0.85 |
| 110 | 0.50 | 0.77 |
| 120 | 0.40 | 0.70 |
| 130 | 0.30 | 0.62 |
| 140 | 0.22 | 0.55 |
| 150 | NR | 0.47 |
| 160 | NR | 0.40 |
| 170 | NR | 0.32 |
| 180 | NR | 0.25 |
| 200 | NR | 0.18 |
| 210 | NR | 0.15 |
| 220 | NR | NR |

Handle replacement kits (includes handle, cap, set-screw)

| For Valve Size | Part No |
|----------------|---------|
| 1/2 | V07491K |
| 3/4 | V08491K |



The terms FKM and Viton® both stand for one single base material: Fluorocarbon elastomer.

Viton® is the registered trade mark of DuPont Performance Elastomers. PTFE (Polytetrafluoroethylene) is nearly insoluble and chemically inert fluorocarbon used for valve seats. It is also used to make Teflon®. PTFE has a natural lubricating quality and high thermal stability.

TEFLON® is a registered trademark of DuPont. Only DuPont makes Teflon.

CUSTOMER SERVICE: 6400 Corporate Ave., Portage, MI 49002

Toll-free (800)374 0234, Phone (269)323 2495, Fax (269) 323 0630 www.colonialengineering.com