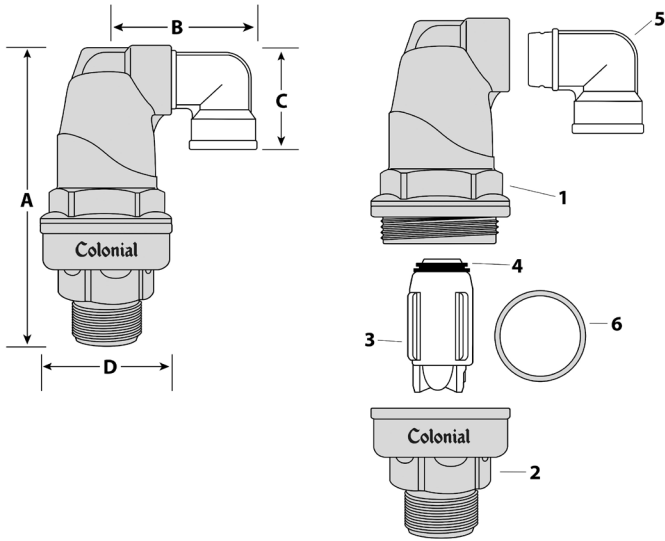


## Features and Benefits

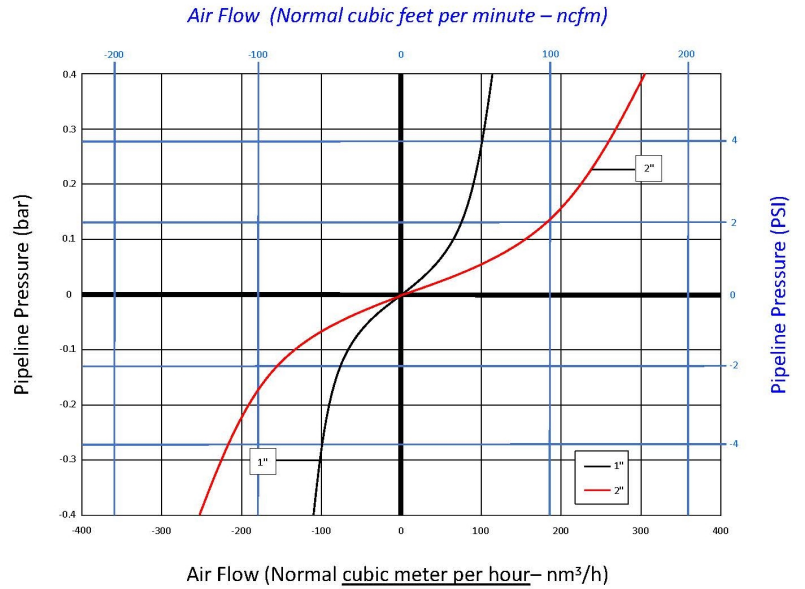
- Allows for evacuation of air while filling the pipeline or tank.
- Allows for intake of air while draining the pipeline or tank, to prevent against vacuum formation.
- Install where the air is most likely to collect, at the highest elevation locations points in the system.
- Install in the VERTICAL position, as shown in the photo and drawings on this submittal.
- The valve's position must be within 5 degrees of the top of the pipe, to allow for proper alignment and movement of the float.
- Operating temperature: 33 - 140°F
- Elbow at the top of the valve has female NPT threads, allowing for connection to a hose or pipe to contain any minor spillage that occurs while the valve checks, and to further protect against the admittance of dirt, debris, etc. into the system.
- Size Selection: Use the 1" valve (V10527N) with pipe sizes of ½ - 2". Use the 2" valve (V20527N) with pipe sizes of 2-1/2 - 4".



Revised 10/7/21



### Air Flow Chart (Filling, Draining and Vacuum)



#### Dimensions (Inch)

Part No	Connection NPT	A	B	C	D	Inlet Orifice Diameter (in)	Max Working Pressure	Min Working Pressure	Weight (lb)	Elbow FIPT connection
V10527N	1"	7.25	3.25	2.00	3.48	0.65	150 psi	1.5 psi	1.04	3/4
V20527N	2"	10.25	5.25	3.50	4.43	1.35	150 psi	1.5 psi	2.32	1-1/2

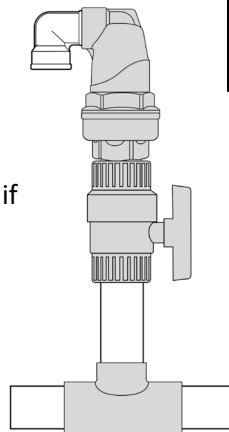
\*non-shock water at 73°F

Note: for use with fluid transfer piping systems only. Not for use with compressed air or gas.

#### Materials

No	Desc	Material
1	Body (Top)	Glass-reinforced Nylon
2	Body (Bottom)	Glass-reinforced Nylon
3	Float	Polypropylene
4	Float Seal	EPDM
5	Elbow	Polypropylene
6	O-ring	EPDM

#### Example A



(Example A) It is recommended that a ball valve and riser are installed prior to the Air-Release Valve (ARV), to allow for isolation if maintenance is required. Recommended Ball Valves: Super C Compact TxT PVC/EPDM 1" V10201N, 2" V20201N.



**CUSTOMER SERVICE:** 6400 Corporate Ave., Portage, MI 49002

Toll-free (800)374 0234, Phone (269)323 2495, Fax (269) 323 0630 [www.colonialengineering.com](http://www.colonialengineering.com)