

## FEATURES AND BENEFITS

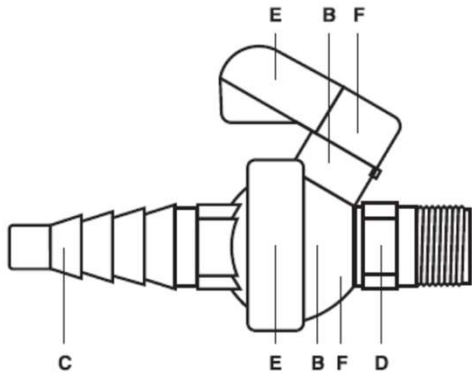
- seats and seals made of Viton®.
- PVC ball/stem and body.  
Other materials available.
- Full .250" opening.
- 150 psi @ 730 F.
- Wide variety of configurations.
- Ideal for laboratory sampling and monitoring.
- 1/4 turn operation.
- 3 – Year Limited Warranty

## SAMPLE ENGINEERING SPECIFICATIONS

Laboratory ball valves are used in laboratories and in other applications that require sampling and monitoring. Colonial's laboratory valves are available in a variety of styles: hose barb and male/female NPT (National Pipe Taper) threads.



Revised 1/10/24



### MATERIALS

Part Letter	Component	Quantity	Material
A	Handle	1	ABS
B	Ball/Stem	1	PVC
C	Body End: Hose or Threaded	1	PVC
D	Body Half: Stem Side	1	PVC
E	O-Ring Body Seal	1	Viton®
F	O-Ring Ball Seats	2	Viton®
G	O-Ring Stem	1	Viton®
H	Handle Screw	1	Cadmium Plated Steel

Viton® is a registered trademark of DuPont Dow Elastomers.

### FLUID FLOW COEFFICIENT

Valve Size	Cv*
1/4"	4.8

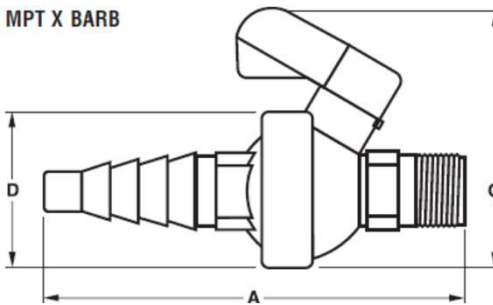
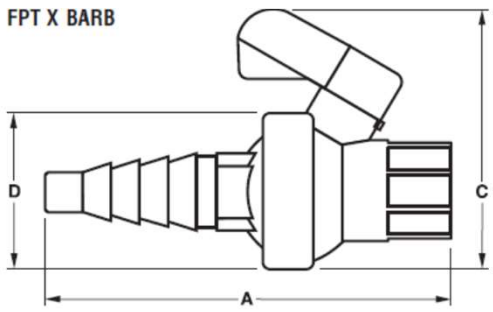
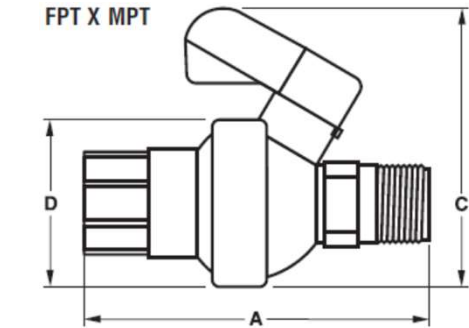
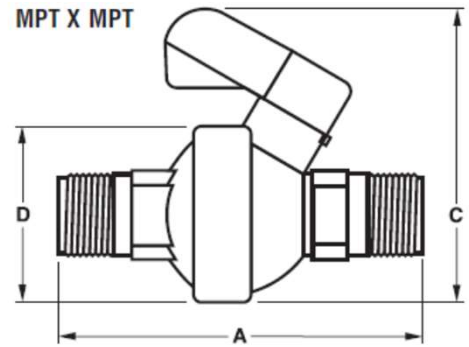
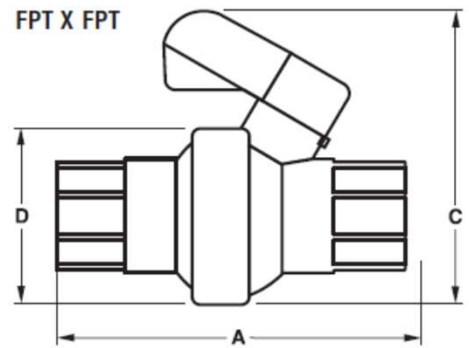
\*Gallons per minute @ 1 psi pressure drop. Cv is based on laying length being equivalent to 1/4" schedule 80 pipe.

### VALVE PART NUMBERS

	FPT X FPT	MPT X MPT	FPT X MPT	FPT X BARB	MPT X BARB
1/4" Viton®	V03512N	V03532N	V03522N	V03552N	V03542N

### DIMENSIONS (INCHES)

	FPT X FPT	MPT X MPT	FPT X MPT	FPT X BARB	MPT X BARB
A	2.53	2.63	2.56	3.38	3.44
C	2.13	2.13	2.13	2.13	2.13
D	1.31	1.31	1.31	1.31	1.31



### TEMPERATURE DE-RATING FOR VALVES

Temp (°F)	PVC
73	1.00
80	0.88
90	0.75
100	0.62
110	0.50
120	0.40
130	0.30
140	0.22
150	NR
160	NR

NR: Not Recommended

Do not use with compressed air or gas

Caution: Colonial recommends a Minimum installation distance of 5 X the pipe diameter from a Pump or other sources of turbulence.

**CUSTOMER SERVICE:** 6400 Corporate Ave., Portage, MI 49002

Toll-free (800)374 0234, Phone (269)323 2495, Fax (269) 323 0630 [www.colonialengineering.com](http://www.colonialengineering.com)