

FEATURES AND BENEFITS

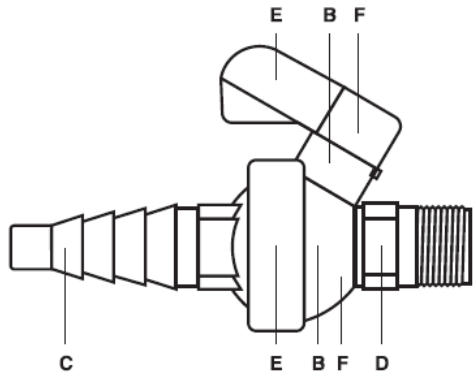
- EPDM seats and seals or seats and seals made of Viton®.
- PVC ball/stem and body. Other materials available.
- Full .250" opening.
- 150 psi @ 730 F.
- Wide variety of configurations.
- Ideal for laboratory sampling and monitoring.
- 1/4 turn operation.
- 3 – Year Limited Warranty

SAMPLE ENGINEERING SPECIFICATIONS

Laboratory ball valves are used in laboratories and in other applications that require sampling and monitoring. Colonial's laboratory valves are available in a variety of styles: hose barb and male/female NPT (National Pipe Taper) threads.



Revised 1/7/21



FLUID FLOW COEFFICIENT

| Valve Size | Cv* |
|------------|-----|
| 1/4" | 4.8 |

*Gallons per minute @ 1 psi pressure drop. Cv is based on laying length being equivalent to 1/4" schedule 80 pipe.

VALVE PART NUMBERS

| | FPT X FPT | MPT X MPT | FPT X MPT | FPT X BARB | MPT X BARB |
|-------------|-----------|-----------|-----------|------------|------------|
| 1/4" Viton® | V03512N | V03532N | V03522N | V03552N | V03542N |

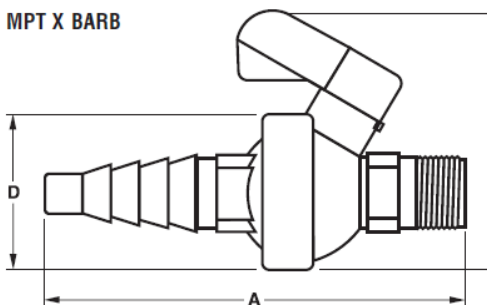
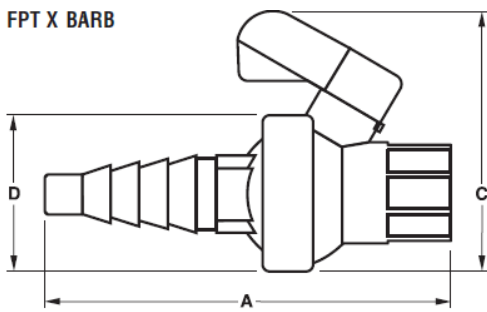
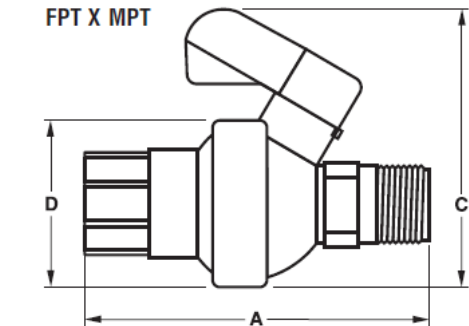
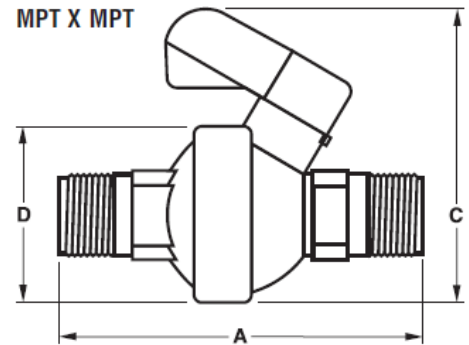
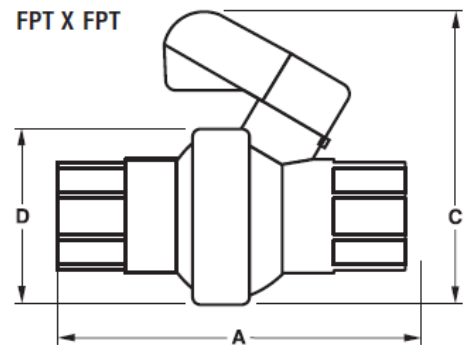
DIMENSIONS (INCHES)

| | FPT X FPT | MPT X MPT | FPT X MPT | FPT X BARB | MPT X BARB |
|---|-----------|-----------|-----------|------------|------------|
| A | 2.53 | 2.63 | 2.56 | 3.38 | 3.44 |
| C | 2.13 | 2.13 | 2.13 | 2.13 | 2.13 |
| D | 1.31 | 1.31 | 1.31 | 1.31 | 1.31 |

MATERIALS

| Part Letter | Component | Quantity | Material |
|-------------|----------------------------|----------|----------------------|
| A | Handle | 1 | ABS |
| B | Ball/Stem | 1 | PVC |
| C | Body End: Hose or Threaded | 1 | PVC |
| D | Body Half: Stem Side | 1 | PVC |
| E | O-Ring Body Seal | 1 | Viton® |
| F | O-Ring Ball Seats | 2 | Viton® |
| G | O-Ring Stem | 1 | Viton® |
| H | Handle Screw | 1 | Cadmium Plated Steel |

Viton® is a registered trademark of DuPont Dow Elastomers.



TEMPERATURE DE-RATING FOR VALVES

| Temp (°F) | PVC |
|-----------|------|
| 73 | 1.00 |
| 80 | 0.88 |
| 90 | 0.75 |
| 100 | 0.62 |
| 110 | 0.50 |
| 120 | 0.40 |
| 130 | 0.30 |
| 140 | 0.22 |
| 150 | NR |
| 160 | NR |

NR: Not Recommended

Do not use with compressed air or gas

Caution: Colonial recommends a Minimum installation distance of 10 X the pipe diameter from a Pump or other sources of turbulence.