

Features and Benefits

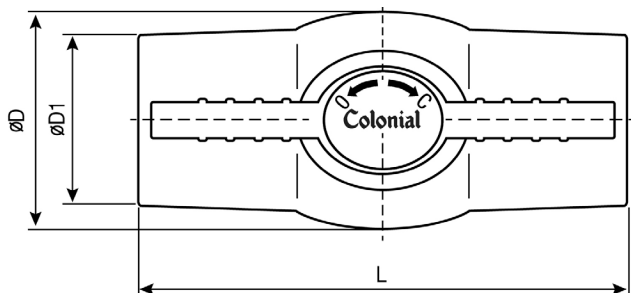
- Thermoplastic design eliminates process and atmospheric corrosion.
- Molded from ASTM D1784, Cell Classification 23447 virgin CPVC resin. Suitable for hot and cold water systems.
- Conforms to ASTM D2846 for dimensions of sockets and wall thickness.
- Pressure rated up to 100 psi, non-shock water at 180° F, 150 psi at 73° F.
- 100% Leak-tested
- Bi-directional: can be installed in either direction.
- NSF – 61 Approved for Potable Water Service. Product also Certified to NSF/ANSI 61, Annex G and is in compliance with California's Health & Safety Code Section 116875 (commonly known as AB1953) and Vermont Act 193.

Available through:

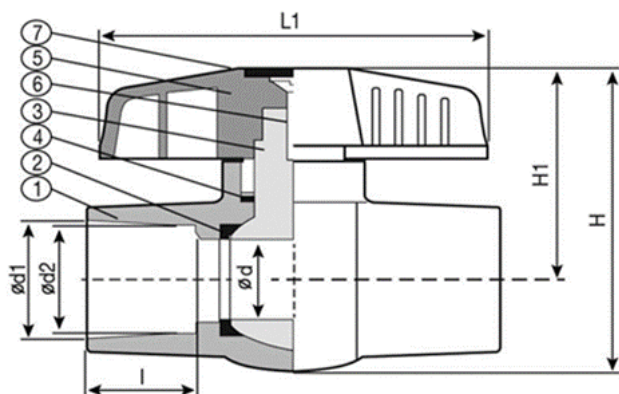
LASCO[®]
Fittings, Inc.



Revised 1/22/21



NO.	Part	Material	Quantity
1	Body	CPVC	1
2	SEAT SEAL	EPDM	2
3	BALL	CPVC	1
4	O-RING	EPDM	1
5	HANDLE	ABS	1
6	BOLT	ZINC-PLATED STEEL	1
7	CAP	ABS	1



SIZE	PART NO.	CTN QTY
1/2"	V07491CE	100
3/4"	V08491CE	100
1"	V10491CE	100
1-1/4"	V14491CE	100
1-1/2"	V17491CE	48
2"	V20491CE	24

Temperature Correction Factors for Valves
(above 73°F)

Temp (°F)	CPVC
73	1.00
80	0.96
90	0.92
100	0.85
110	0.77
120	0.70
130	0.62
140	0.55
150	0.47
160	0.40
170	0.32
180	0.25
200	0.18
210	0.15
220	NR

DIMENSIONS

	1/2"	3/4"	1"	1-1/4"	1-1/2"	2"
D	1.260	1.559	2.014	2.244	2.520	3.130
D1	0.957	1.181	1.496	1.831	2.138	2.598
d	0.488	0.720	0.925	0.996	1.138	1.417
d1	0.633	0.884	1.135	1.386	1.640	2.141
d2	0.619	0.870	1.121	1.372	1.622	2.123
L	2.677	3.295	3.776	4.173	4.488	5.689
L1	2.362	2.756	3.425	3.937	3.937	4.291
H	2.031	2.583	3.189	3.720	3.878	4.567
H1	1.339	1.693	2.126	2.559	2.638	3.071
l	0.753	0.917	0.945	1.142	1.299	1.732

Sizes 1/2, 3/4, & 1" are full port. Sizes 1-1/4, 1-1/2 & 2" are reduced port.

Use for fluid transfer only. Do not use with compressed air or gas.