

## Features and Benefits

- Thermoplastic design eliminates process and atmospheric corrosion.
- Pressure rated up to 150 psi, non-shock water at 73° F.
- Socket dimensions conform to ASTM D- 2467
- Single-union design allows for a separation point from the piping system.
- 3 year limited warranty

● **Features a blocked seat carrier, to prevent blowout if union nut is removed while valve is under pressure in the closed position. Carrier is also adjustable for seat-wear. Seat carrier is threaded into the body. The handle can be removed and used as a spanner wrench to tighten the carrier to adjust for seat wear. It can also be used to unthread the carrier to disassemble the valve.**

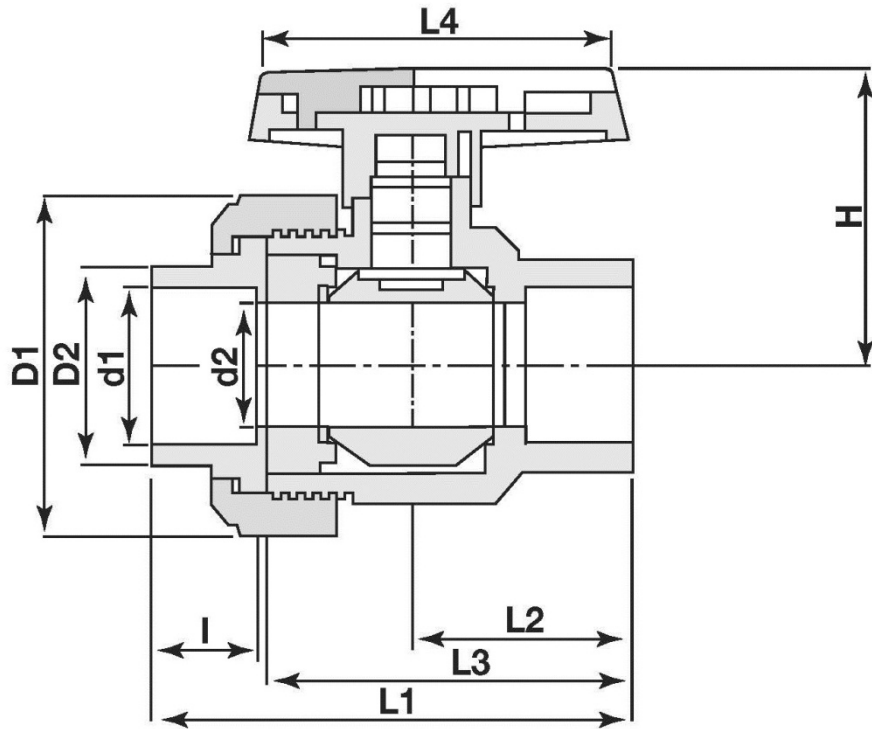


Single Union Ball Valves are an economically priced solution for water treatment, pool/spa, and commercial plumbing applications.

The MARK III TYPE replaces older versions of the White SUBV. The numeral III appears on the handle after the Colonial Name. The part numbers in this series remains unchanged.



Revised 1/8/21



Pressure rated up to 150 psi,  
non-shock water at 73° F.

Temp (°F)	PVC
73	1
80	0.88
90	0.75
100	0.62
110	0.5
120	0.4
130	0.3
140	0.22
150	NR

Part Numbers PVC/EPDM Soc x Soc

Valve Size	Part Number
1"	V10131W
1-1/2"	V17131W
2"	V20131W

No.	Part	Material	Qty
1	Body	PVC	1
2	Stem o-ring	EPDM	2
3	Stem	PVC	1
4	Ball	PVC	1
5	Seat	TPE	2
6	Carrier o-ring	EPDM	1
7	Seat Carrier	PVC	1
8	Face o-ring	EPDM	2
9	End Connector	PVC	1
10	Union Nut	PVC	1
11	Handle	PVC	1

Dimensions (inches)

Valve Size	d1	l	d2	D1	D2	L1	L2	L3	L4	H
1"	1.30	1.10	0.94	2.68	1.65	3.86	3.39	3.35	3.43	2.68
1-1/2"	1.89	1.38	1.57	3.60	2.40	5.27	4.49	4.33	4.67	3.48
2"	2.36	1.57	1.97	4.54	2.95	6.35	5.39	7.48	5.70	4.04



For fluid handling only – do not use with compressed air or gas.