

Features and Benefits

- Thermoplastic design with stainless steel fasteners resists process and atmospheric corrosion.
- Pressure rated up to 150 psi in full flow (open) position, and 75 psi back-pressure in the closed position (non-shock water at 73° F).
- ANSI Socket x Socket, or ANSI Class 150 flanged type.
- Two-piece body design joined with 304 SS fasteners, and an EPDM gasket. This valve can be disassembled for service.
- Gravity-based closure (no spring). EPDM seal weighted with a PVC disc.
- Minimum opening pressure less than 0.5 psi
- Swing check valves are designed for horizontal installation. Check valves must be installed with the Flow-Arrow Indicator pointing in the direction of the flow of the system. The Flow Arrow Indicator must be on the TOP of the valve, so that the hinge will be in the proper position.
- Valve should be installed with the inlet and outlet at the same level.
- It is recommended that these valves be installed no closer than 10 pipe diameters from a pump. At least 5 pipe diameters should be between these valves and an elbow. As with all plastic piping, the maximum fluid velocity is 5 feet per second. This velocity minimizes the effects of valve closure and pump start up or shut down.



For use in irrigation, swimming pool, and commercial plumbing applications to prevent backflow. The open position allows for unobstructed continuous flow with minimal head loss. Swing check valves are designed for horizontal installation. Swing Check is not recommended to be installed with outlet side angled down or facing downward. All check valves must be installed with the flow-arrow pointing in the direction of the flow of the system. The flow velocity should not exceed 5 ft./second.



3/4 & 1"



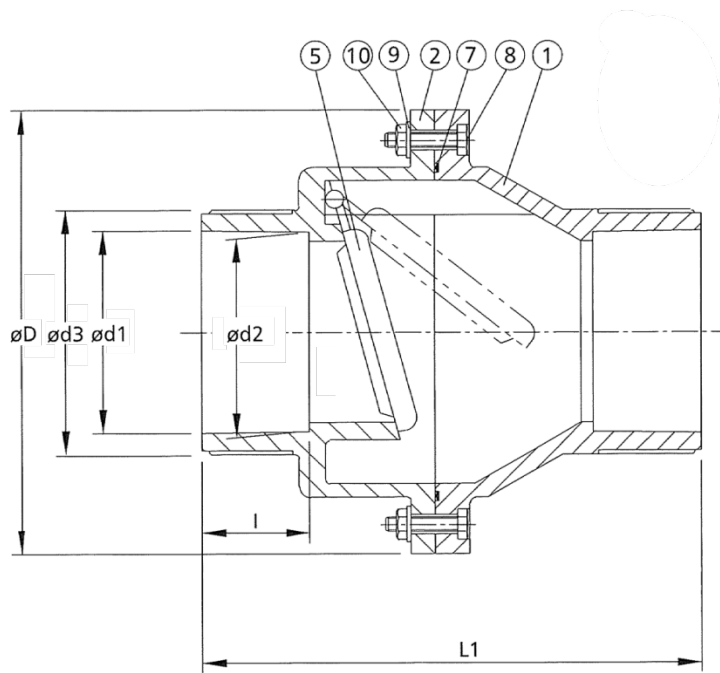
1-1/4 – 4"

Flanged type also available – see page 2

Revised 010217 updated bullet list

Temperature / pressure de-rating:

Temp (°F)	PVC
73	1.00
80	0.88
90	0.75
100	0.62
110	0.50
120	0.40
130	0.30
140	0.22
150	NR

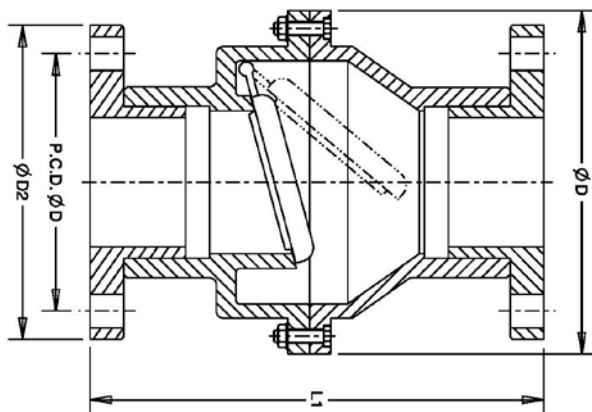


Socket x Socket Dimensions

No.	Part	3/4 - 2"	1/2 - 4"
1	Body	PVC	PVC
2	Body	PVC	PVC
5	Swing Disc	PVC/EPDM	EPDM
7	O-Ring	EPDM	EPDM
8	Bolt	304 SS	304 SS
9	Washer	304 SS	304 SS
10	Nut	304 SS	304 SS

	3/4"	1"	1-1/4"	1-1/2"	2"	2-1/2"	3"	4"
Bore*	0.700	0.901	1.152	1.450	1.900	2.480	3.115	3.937
d1	1.058	1.325	1.670	1.912	2.387	2.889	3.516	4.518
d2	1.046	1.310	1.655	1.894	2.369	2.868	3.492	4.491
L1	3.858	4.180	5.060	5.738	6.480	8.346	8.700	10.750
L	1.063	1.063	1.390	1.520	1.465	1.800	1.880	2.250
D	2.520	2.953	3.880	4.150	4.880	6.614	7.710	8.270

PART NO.	SIZE
V08611G	3/4
V10611G	1
V17611G	1-1/2
V14611G	1-1/4
V20611G	2
V27611N	2-1/2
V30611N	3
V40611N	4



Flange x Flange Dimensions

	1-1/2"	2"	3"	4"
Bore*	1.450	1.900	3.115	3.937
D	4.724	5.512	6.850	8.189
D2	5.031	6.000	7.500	9.000
PCD	3.870	4.750	6.000	7.500
L1	8.863	9.918	12.763	15.750

PART NO.	SIZE
V17611NF	1-1/2
V20611NF	2
V30611NF	3
V40611NF	4

For fluid handling only. Do not use with compressed air or gas.

