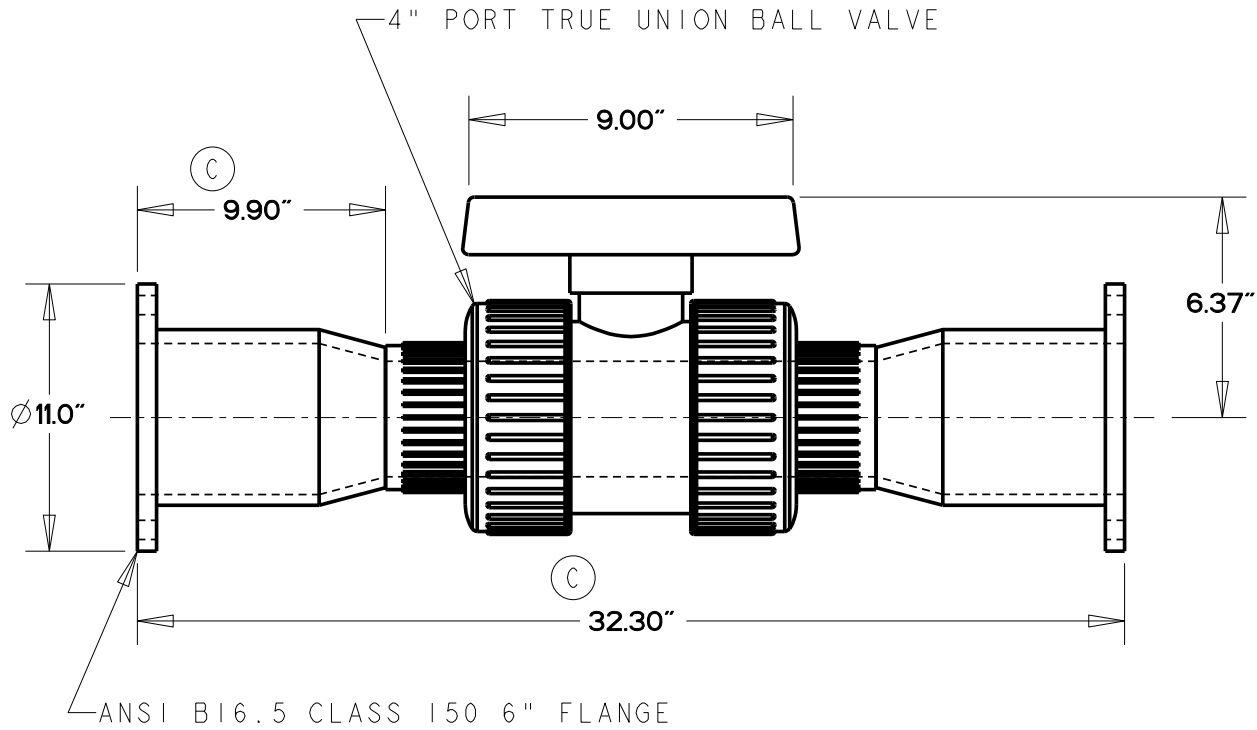


CUSTOMER PART NO.
-

PART NO.	MATERIAL
V60121N	PVC/EPDM
V60122N	PVC/VITON
V60124N	CPVC/VITON



(B) WEIGHT: 30 LBS
 OPENING TORQUE: 1,000 IN-LBS ANSI B16.5 CLASS 150 FLANGE
 MAX WORKING PRESSURE: 150 PSI NON-SHOCK WATER AT 73° F

C	REVISED DIMS USING 829-532 COUPLING	11-20-15
B	REMOVED Cv RATING	7-10-10
A	RELEASED	6-1-06

REV	DESCRIPTION	DATE
ENGINEERING REVISIONS		

TITLE		
6" TRUE UNION BALL VALVE FLANGED (VENTURIED)		

DESIGNED BY MB	DWG SIZE A	COLONIAL ENGINEERING, INC. 6400 Corporate Ave Portage, MI 49002 <small>This drawing is the property of Colonial Engineering. It is furnished to you for confidential information purposes only and is not to be disclosed to anyone else or reproduced or used for manufacturing purposes without the express written permission of Colonial Engineering</small>
DRAWN BY EJL	SHEET NO 1 OF 1	
REVIEWED BY MB	SCALE -	DRAWING NO
DATE 6-1-06	LENGTH UNITS INCH	V6012XN