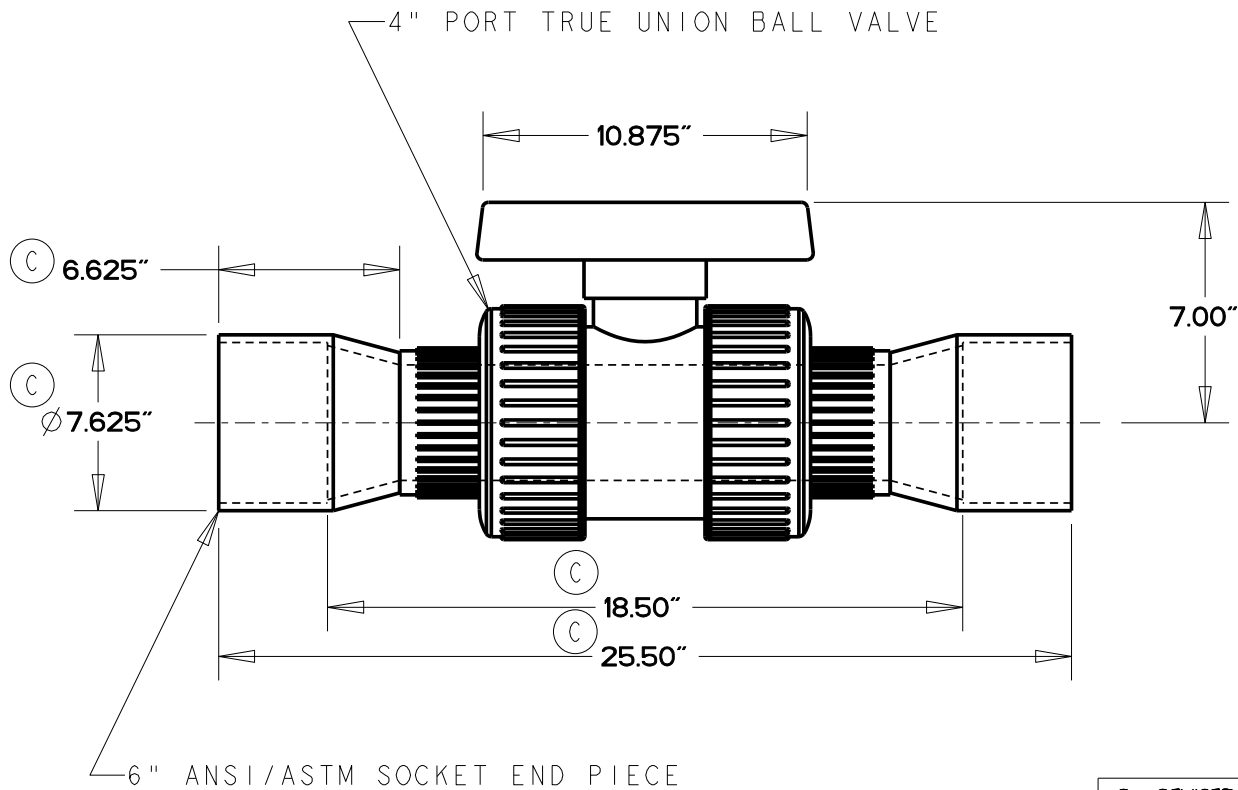



CUSTOMER PART NO:  
-

PART NO.	MATERIAL
V60101N	PVC/EPDM
V60102N	PVC/VITON
V60104N	CPVC/VITON



REV	DESCRIPTION	DATE
C	REVISED DIMS USING 829-532 COUPLINGS	11-20-15
B	REMOVED Cv RATING	7-10-10
A	RELEASED	11-15-07

ENGINEERING REVISIONS

TITLE		
6" TRUE UNION BALL VALVE SOC X SOC (VENTURIED)		
DESIGNED BY	DWG SIZE	COLONIAL ENGINEERING, INC. 6400 Corporate Ave Portage, MI 49002 <small>This drawing is the property of Colonial Engineering. It is furnished to you for confidential information purposes only and is not to be disclosed to anyone else or reproduced or used for manufacturing purposes without the express written permission of Colonial Engineering.</small>
MB	A	
DRAWN BY	SHEET NO	DRAWING NO
EJL	1 OF 1	
REVIEWED BY	SCALE	V6010XN
MB	-	
DATE	LENGTH UNITS	
6-1-06	INCH	

(B) (C)  
 WEIGHT: 24 LBS  
 OPENING TORQUE: 1,000 IN-LBS  
 MAX WORKING PRESSURE: 150 PSI NON-SHOCK WATER AT 73° F