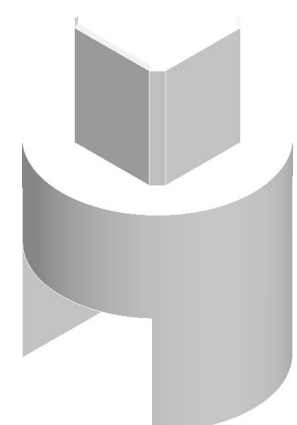
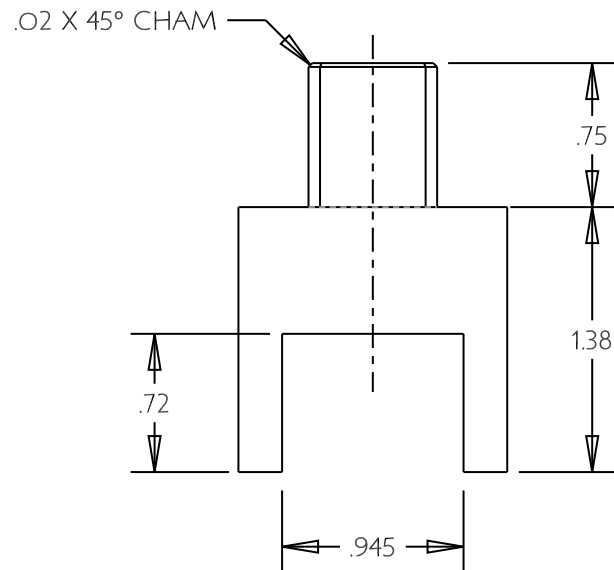
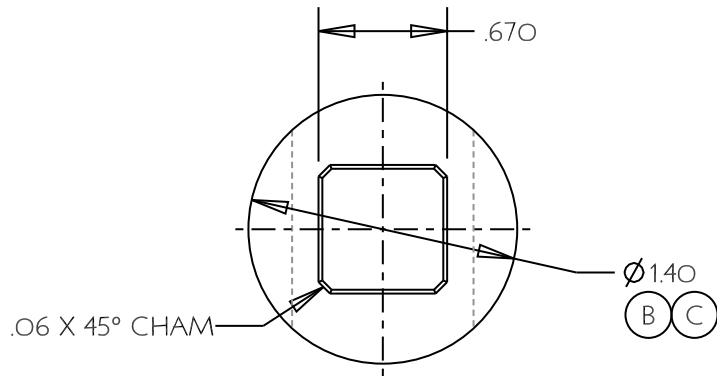


CUSTOMER PART NO:
-



2. UNLESS OTHERWISE SPECIFIED:
 .XXX ±.005
 .XX ±.010
 X ±.020

1. MATERIAL: CARBON STEEL

NOTES:

C	Ø1.40 WAS 1.25	4-8-12
B	Ø1.25 WAS 1.63	3-31-11
A	RELEASED	3-24-11

REV	DESCRIPTION	DATE
-----	-------------	------

ENGINEERING REVISIONS

TITLE		
STEM COUPLING		

DESIGNED BY MB	DWG SIZE A	COLONIAL ENGINEERING, INC. 6400 Corporate Ave Portage, MI 49002 <small>This drawing is the property of Colonial Engineering. It is furnished to you for confidential information purposes only and is not to be disclosed to anyone else or reproduced or used for manufacturing purposes without the express written permission of Colonial Engineering.</small>
DRAWN BY EJL	SHEET NO 1 OF 1	
REVIEWED BY MB	SCALE 1/1	DRAWING NO
DATE 3-24-11	LENGTH UNITS INCH	K11033