

FEATURES AND BENEFITS

- Corrosion resistant thermoplastic body, disc and handle.
- Ideal for On/Off Service or for Throttling
- Compact, light weight design
- Full boot seal for durable performance. No flange gaskets required.
- ANSI B16.5 Class 150 & DIN Flange Pattern
- Impact-resistant ABS Handle with position indicator
- Pressure rating: 150 psi, non-shock water @ 73° F for 3 – 6", 100 psi for 8".
- 100% Bubble tight seal
- Stainless Steel Stem
- 3 – Year Limited Warranty

SAMPLE ENGINEERING SPECIFICATIONS

Butterfly valves shall be lever actuated. Valve body and disc shall be produced of PVC Type I, cell classification 12454. Valve boot/seal and O-rings shall be made of EPDM material. Stem shall be made of stainless steel. The disc bore (center) shall contain a integrally molded stainless steel reinforcement square liner, which engages with the stainless steel valve stem. Boot/seal (liner) and disc shall be the only wetted parts of the valve. Lever handle shall be produced of ABS material, and shall be capable of locking in multiple, marked positions from opening to close. Bolt pattern shall conform to ANSI/ASME B 16.5 Class 150, DIN, and BS 4504 PN6 PCD. Colonial 711N Series.

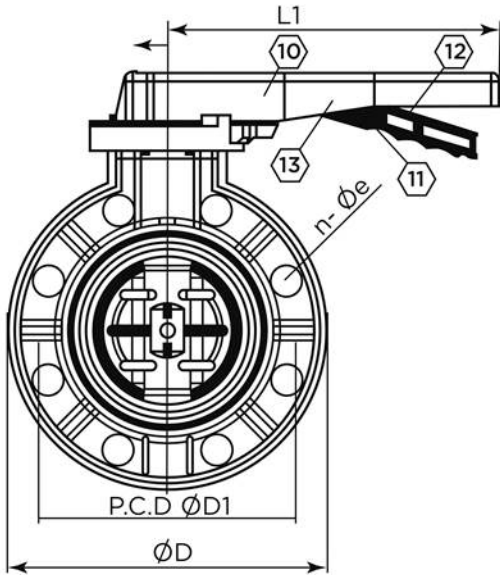


- See 411NG Submittal for 2-16" sizes with gear operator



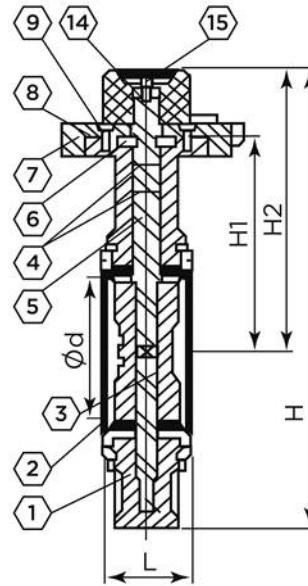
Revised 9/20/18 – Cv Table

CUSTOMER SERVICE: 6400 Corporate Ave., Portage, MI 49002
Toll-free (800)374 0234, Phone (269)323 2495, Fax (269) 323 0630 www.colonialengineering.com



Dimensions (mm)

ANSI	3"	4"	6"	8"
DIN	80	100	160	200
PCD ANSI	152	191	241	298
PCD DIN	160	180	240	295
PCD BS 4504 PN6	150	170	225	280
ø D	196	228	287	344
ø d	78	98	151	199
L	49	54	70	88
L 1	240	240	310	310
W	55	55	72	72
H1	120	140	181	215
H2	172	194	239	280
H	270	308	382	452
n - ø e ANSI	4 - 19	8 - 19	8 - 23	8 - 23
n - ø e DIN	8 - 19	8 - 19	8 - 23	8 - 23



Dimensions (inches)

ANSI	3"	4"	6"	8"
DIN	80	100	160	200
PCD ANSI	5.98	7.52	9.49	11.73
PCD DIN	6.30	7.09	9.45	11.61
PCD BS 4504 PN6	5.91	6.69	8.86	11.02
ø D	7.72	8.98	11.30	13.54
ø d	3.07	3.86	5.94	7.83
L	1.93	2.13	2.76	3.46
L 1	9.45	9.45	12.20	12.20
W	2.17	2.17	2.83	2.83
H1	4.72	5.51	7.13	8.46
H2	6.77	7.64	9.41	11.02
H	10.63	12.13	15.04	17.80
n - ø e ANSI	4 - 0.748	8 - 0.748	8 - 0.906	8 - 0.906
n - ø e DIN	8 - 0.748	8 - 0.748	8 - 0.906	8 - 0.906

Size	Part Number	Master Ctn Qty	Working Pressure*
3"	V30711N	4	150 psi
4"	V40711N	4	150 psi
6"	V60711N	4	150 psi
8"	V80711N	1	100 psi

Temperature / pressure de-rating

Temp (F°)	PVC
73	1.00
80	0.88
90	0.75
100	0.62
110	0.50
120	0.40
130	0.30
140	0.22
150	NR

*non-shock water at 73°F

Materials

ITEM	DESCRIPTION	MATERIAL
1	Body	PVC
2	Seat Seal	EPDM
3	Disc	PVC
4	O-ring	EPDM
5	Stem	304 SS
6	Bearing	ABS
7	Index Plate	ABS
8	Screw	SS
9	Cap	ABS
10	Handle	ABS
11	Spring	304 SS
12	Lever	ABS
13	Set Pin	Steel
14	Bolt	Steel
15	Cap	ABS

FLUID FLOW COEFFICIENT Cv*

*Gallons per minute @ 1 psi pressure drop

Size	15°	30°	45°	60°	75°	Full Open Position
3	4	15	60	160	210	300
4	7	24	94	220	329	470
6	18	55	220	540	770	1100
8	90	125	500	1400	1750	2500

Note: also available in Contractor Kit with flanges and bolt set. See List Price Sheet for details.



Do not use with compressed air or gas

CUSTOMER SERVICE: 6400 Corporate Ave., Portage, MI 49002
Toll-free (800)374 0234, Phone (269)323 2495, Fax (269) 323 0630 www.colonialengineering.com