

- Compact – requires little space in piping systems
- **No spacers required** – Disc opens fully when installed using ANSI Sch 80 flanges/pipe
- Light weight, easy to install – wafer body slips between standard Sch 80 flanges
- Working pressure 145 psi, non-shock water at 73°F
- Bubble tight seal with only 0.02 psi back pressure
- Vacuum rating: 29.9 Hg (inches mercury)
- Spring dampens the opening and closing time, avoiding water hammer.
- Recommended for horizontal and vertical piping
- Serviceable – repair parts and replacement o-rings are available.

Material Options

- PVC with EPDM or FKM o-ring, 316 SS Spring

Used in:

Industrial Process Piping
 Commercial Swimming Pools
 Water Parks
 Aquaculture
 Aquarium & Zoo support systems
 Pulp & Paper
 Landfill piping
 Marine & other Salt Water applications
 Water & Wastewater Treatment



The Wafer Check Valve is a non-return valve ideal for limited space installations. These valves are available for pipe sizes 2-1/2 – 6". Equipped with SS spring which can be removed if desired.



601N SERIES WAFER CHECK VALVE 2 – 6"

Sample Engineering Specifications:

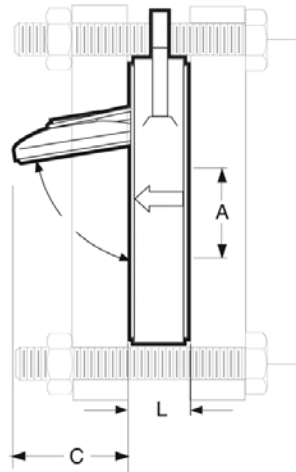
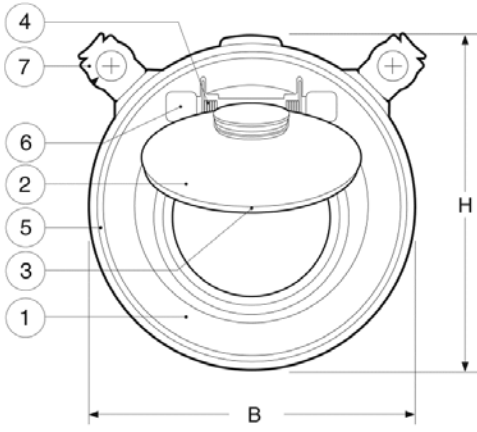
All wafer check valves shall be produced of PVC Type I, cell classification 12454. Valves shall have a single disc design suitable for either horizontal or vertical installations. Valves shall be wafer style conforming to ASME/ANSI B16.1 face-to-face dimensions for Class 150 flanges. O-ring seals of either EPDM or FKM. A 316 Stainless Spring is included to dampen the movement of the disc to prevent water-hammer. Valves shall be rated to 145 psi (2-1/2 - 6"), 100psi (8"), and 87 psi (10 & 12") non-shock water at 73 degrees F.

Colonial 601 & 601NP Series Wafer Check



REV 9/21/18

CUSTOMER SERVICE: 6400 Corporate Ave., Portage, MI 49002
 Toll-free (800)374 0234, Phone (269)323 2495, Fax (269) 323 0630 www.colonialengineering.com



ITEM	DESCRIPTION	Qty	MATERIAL
1	Body	1	PVC
2	Disc/ Hinge	1	PVC
3	Disc o-ring	1	EPDM/FKM
4	Spring	1	316 SS
5	Body o-ring	2	EPDM/FKM
6	Hinge Plug	2	PVC
7	Locating Ears	2	PVC

De-rate pressure for elevated process temps per the chart below:

Temp (°F)	PVC
73	1.00
80	0.88
90	0.75
100	0.62
110	0.50
120	0.40
130	0.30
140	0.22
150	NR

Dimensions (in.)

SIZE	2-1/2	3	4	6
A	1.80	2.30	2.90	4.40
B	4.30	4.90	5.90	8.50
C	1.80	2.20	2.80	4.10
H	4.80	5.30	6.30	8.70
L	0.80	0.80	0.90	1.20

PART NUMBERS FOR VALVES

PART NUMBERS FOR REPAIR PARTS

SIZE	PVC/EPDM	PVC/FKM	Ctn Qty	Wgt (lbs)	Cracking Pressure	Sealing (back) pressure required	Cv* Values	EPDM O-ring Kit	FKM O-ring Kit	SPRING	DISC	Hinge plugs and Locating Ears (Kit)
2-1/2	V27601N	V27602N	1	0.40	0.5 psi	0.02 psi	98	V27601NR	V27602NR	V27601S	V27601D	V27601H
3	V30601N	V30602N	1	0.50	0.5 psi	0.02 psi	167	V30601NR	V30602NR	V30601S	V30601D	V30601H
4	V40601N	V40602N	1	0.80	0.5 psi	0.02 psi	281	V40601NR	V40602NR	V40601S	V40601D	V40601H
6	V60601N	V60602N	1	2.30	0.5 psi	0.02 psi	620	V60601NR	V60602NR	V60601S	V60601D	V60601H

* GPM of water at 1 psi pressure drop.

PART NUMBERS FOR CONTRACTOR KITS: INCLUDES WAFER CHECK VALVE, A SET OF PVC VAN-STONE (LOOSE-RING) FLANGES, AND A PROPERLY SIZED BOLT SET. ALL PACKED IN A HEAVY-DUTY CORRUGATED CARTON. ONE PART NUMBER ASSURES THAT ALL MATERIALS WILL ARRIVE AT THE JOBSITE.

SIZE	PVC/EPDM WITH FLANGES & 304 SS BOLT SET	PVC/EPDM WITH FLANGES & GALV BOLT SET	PVC/FKM WITH FLANGES & 304 SS BOLT SET	PVC/FKM WITH FLANGES & GALV BOLT SET	Ctn Qty	Wgt (lbs)
2-1/2	KIT27601S	KIT27601G	KIT27602S	KIT27602G	1	5.76
3	KIT30601S	KIT30601G	KIT30602S	KIT30602G	1	6.90
4	KIT40601S	KIT40601G	KIT40602S	KIT40602G	1	12.58
6	KIT60601S	KIT60601G	KIT60602S	KIT60602G	1	21.00



INSTALLATION PRECAUTIONS:

The following should be observed when installing onto the discharge side of a pump:

- Never install the valve directly to a pump, a bend or an elbow.
- Be sure to install with the Flow Arrow in the proper direction.
- Install all wafer check valves a minimum of 5 times the nominal pipe diameter downstream of pumps, elbows or valves.

NOTE: Do not use the valves without springs for pulsating applications.

Do not use with compressed air or gas.



CUSTOMER SERVICE: 6400 Corporate Ave., Portage, MI 49002
Toll-free (800)374 0234, Phone (269)323 2495, Fax (269) 323 0630 www.colonialengineering.com