

## Features and Benefits

- Thermoplastic design eliminates process and atmospheric corrosion.
- Pressure rated up to 150 psi, non-shock water at 73° F
- **100% Leak Tested**
- **Both White and Gray have Sch 80 wall thickness.**
- **Polished PVC Ball insures smooth turning and longer service life.**
- Socket dimensions meet ASTM standard PVC: D-2467
- FIPT x FIPT version: Threads meet ASTM standard D-2464, ANSI B1.20.1
- PVC Material meets ASTM D-1784. (Body, Ball & Stem)
- Full Port Sch 80 in sizes ½, ¾, 1, 2 ½, 3 & 4
- Standard Port Sch 80 in sizes 1 ¼, 1 ½ & 2
- Bi-directional: can be installed in either direction.
- **Replacement handle kits available.**
- **NSF – 61** Approved for Potable Water Service. Product also Certified to NSF/ANSI 61, Annex G and is in compliance with California's Health & Safety Code Section 116875 (commonly known as AB1953) and Vermont Act 193.



## All PVC Compact MIP Ball Valves are **NOT** *created equal*

MIP Compact Valves answer the need for an economically priced compact quarter turn ball valve for use in irrigation, water treatment, pool/spa, and commercial plumbing applications. Available in 1/2 - 4" sizes



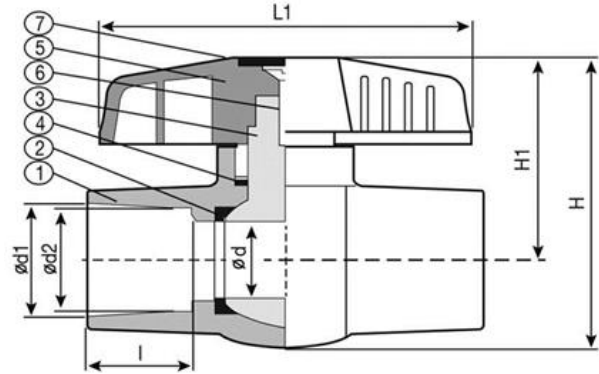
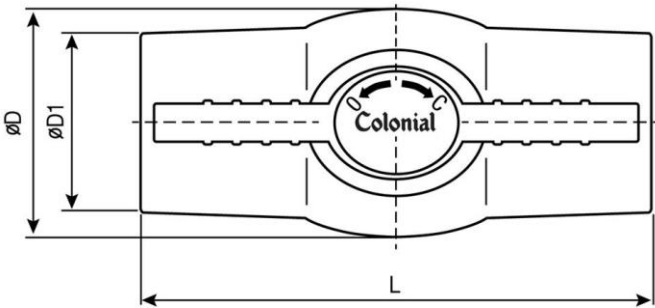
COMMERCIAL SCH 80 MIP (MOLDED IN PLACE) COMPACT VALVE

Do not use with compressed air or gas.

Revised 10/18/19 Port Size Detail Added

**CUSTOMER SERVICE:** 6400 Corporate Ave., Portage, MI 49002  
Toll-free (800)374 0234, Phone (269)323 2495, Fax (269) 323 0630 [www.colonialengineering.com](http://www.colonialengineering.com)

Size	White Socket	White Threaded	Gray Socket	Gray Threaded
1/2	V07491N	V07591N	V07691N	V07791N
3/4	V08491N	V08591N	V08691N	V08791N
1	V10491N	V10591N	V10691N	V10791N
1-1/4	V14491N	V14591N	V14691N	V14791N
1-1/2	V17491N	V17591N	V17691N	V17791N
2	V20491N	V20591N	V20691N	V20791N
2-1/2	V27491N	V27591N		
3	V30491N	V30591N		
4	V40491N	V40591N		



	1/2"	3/4"	1"	1-1/4"	1-1/2"	2	2-1/2"	3"	4"
d1	0.848	1.058	1.325	1.670	1.912	2.387	2.889	3.516	4.518
d2	0.836	1.046	1.310	1.655	1.894	2.369	2.868	3.492	4.491
l	0.875	1.000	1.125	1.250	1.375	1.500	1.750	1.875	2.250
D	1.496	1.929	2.244	2.480	2.953	3.622	4.331	5.236	6.693
D1	1.181	1.496	1.772	2.126	2.441	3.031	3.622	4.173	5.315
d	0.551	0.787	0.984	1.181	1.417	1.831	2.362	3.031	3.976
L	3.268	3.740	4.173	4.488	5.118	5.787	8.031	9.016	11.81
L1	2.756	3.465	3.937	3.937	4.291	5.276	7.008	8.819	10.87
H	2.441	3.071	3.661	3.858	4.528	5.315	6.299	7.480	9.173
H1	1.693	2.126	2.559	2.638	3.071	3.504	4.134	4.882	5.827

No.	Part	Material	Qty
1	Body	PVC	1
2	Seat	EPDM	2
3	Ball	PVC	1
4	O-ring	EPDM	1
5	Handle	ABS	1
6	Bolt	Zinc Plated Steel	1
7	Cap	ABS	1

Pressure rated at 150 psi non-shock water at 73°F. If operating temperature will exceed 73°, then reduce the pressure according to the chart below. NR = not-recommended.

Temp (F°)	73	80	90	100	110	120	130	140	150
De-rate by	1.00	0.88	0.75	0.62	0.50	0.40	0.30	0.22	NR

**Handle replacement kits (includes handle, cap, set-screw)**

For Valve Size	Part No
1/2	V07491K
3/4	V08491K
1	V10491K
1-1/4	V14491K
1-1/2	V17491K
2	V20491K
2-1/2	V27491K
3	V30491K
4	V40491K

Easy to replace: 1. Pry off cap 2. Loosen and remove the set screw. 3. Lift the handle off the stem. Make sure o-ring is clean. Reverse steps above to reassemble. New handle comes with new cap and set-screw.



Available through  
**LASCO®**  
**Fittings, Inc.**