

Heavy-duty, full face wafer-style Butterfly valves for On/Off service, or for controlling the flow of water or chemicals. The gear operator with position indicator provides excellent throttling capability and ease of operation.

### FEATURES AND BENEFITS

- Full boot-seal for durable performance (No flange gaskets required)
- 100% bubble tight shut-off
- Bolt pattern meets ANSI/ASME B16.5 Class 150 standard
- Bi-directional: can be installed in either direction
- Gear box (Aluminum for sizes 2-6", Cast Iron for sizes 8-16") are painted for corrosion-resistance (non-submersible)
- Stainless Steel Hardware
- Face to face dimensions match ©Asahi Type 56/57 BFV for direct retro fit
- 3 – Year Limited Warranty

©ASAHI/America, 35 Green St., Malden, MA 02148

Note: For Lever type Butterfly Valves, see Colonial 311N, 411N, or 711N Series.

### MATERIAL OPTIONS

- PVC with PP Disc
- CPVC with CPVC Disc

### MATERIAL OPTIONS

- EPDM
- BUNA-N
- FKM



### SAMPLE ENGINEERING SPECIFICATIONS

Butterfly valve body and disc shall be produced of PVC Type I, cell classification 12454 or CPVC Type IV, cell classification 23447 material. Valve boot/seal and O-rings shall be made of EPDM, FKM or Buna-N (NBR) material. Stem shall be made of stainless steel. The disc bore (center) shall contain a integrally molded stainless steel reinforcement square liner, which engages with the stainless steel valve stem. Boot/seal (liner) and disc shall be the only wetted parts of the valve. Gear operator shall include a position indicator. Bolt pattern shall conform to ANSI/ASME B 16.5 Class 150 standard.



Revised 2/28/19

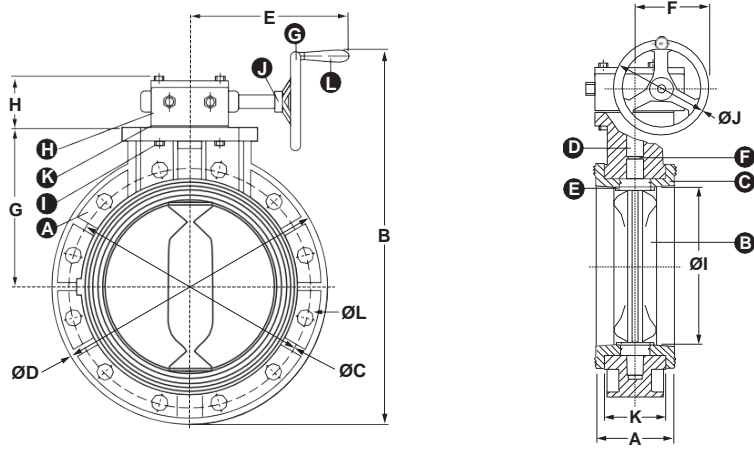
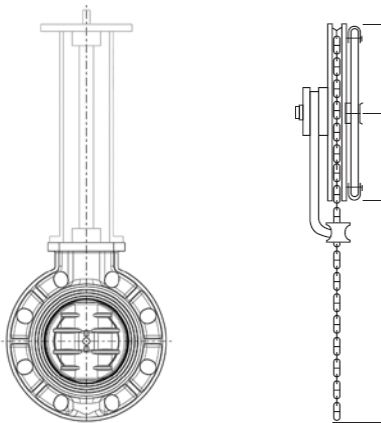
**TEMPERATURE DE-RATING  
FOR VALVES & UNIONS  
(ABOVE 73°)**

TEMP (°F)	PVC	CPVC	PP
73	1.00	1.00	1.00
80	0.88	0.96	0.93
90	0.75	0.92	0.83
100	0.62	0.85	0.74
110	0.50	0.77	0.66
120	0.40	0.70	0.58
130	0.30	0.62	0.51
140	0.22	0.55	0.40
150	NR	0.47	0.38
160	NR	0.40	0.35
170	NR	0.32	0.29
180	NR	0.25	0.23
200	NR	0.18	0.14
210	NR	0.15	0.10
240	NR	NR	NR
280	NR	NR	NR

NR: Not Recommended

Caution: Colonial recommends a minimum installation of 10 X the pipe diameter from a pump or other sources of turbulence.

**STEM EXTENSIONS & CHAIN WHEELS  
ARE AVAILABLE**



**COMPONENTS AND MATERIALS**

Part Letter	Component	Quantity	Material
A	Body	1	PVC, CPVC*1
B	Disc	1	PP, CPVC*1
C	Seal	1	EPDM, FKM, Buna-N
D	Stem	1	410 SS
E	O-Ring	2	EPDM, FKM, Buna-N
F	Stem O-Ring	2	EPDM, FKM, Buna-N
G	Handwheel	1	Cast Iron
H	Gear Box	1	Coated Metal*2
I	Bolt & Washer	4	304 SS
J	Spring Pin	1	Steel
K	Packing	1	EPDM, FKM, Buna-N
L	Small Handle	1	Steel

\*1 PVC/EPDM are stock items. CPVC, FKM, or Buna material choices require lead time. Please check with customer service.

\*2 Standard painted gear operator (cast iron or aluminum). Non-submersible.

**SIZE & PART NUMBERS**

SIZE	PVC/EPDM	PVC/BUNA	PVC/FKM	CPVC/EPDM	CPVC/FKM
2	V20411NG	-	V20412NG	V20413NG	V20414NG
3	V30411NG	V30415NG	V30412NG	V30413NG	V30414NG
4	V40411NG	V40415NG	V40412NG	V40413NG	V40414NG
6	V60411NG	V60415NG	V60412NG	V60413NG	V60414NG
8	V80411NG	V80415NG	V80412NG	V80413NG	V80414NG
10	V100411NG	-	V100412NG	V100413NG	V100414NG
12	V120411NG	-	V120412NG	V120413NG	V120414NG
14	V140411NG	-	-	-	-
16	V160411NG	-	-	-	-

**DIMENSIONS (INCHES)**

Size	A	B	ØC	ØD	E	F	n-Ø-e	G	H	ØI	ØJ	K	ØL	wgt/lbs
2	1.69	11.69	4.76	6.50	4.73	4.36	4 - .75	4.06	2.80	2.22	6.00	1.38	0.75	7.40
3	1.81	12.85	5.98	7.87	4.73	4.36	4 - .75	4.53	2.80	3.13	6.00	1.42	0.75	8.30
4	2.20	14.22	7.52	9.02	4.73	4.36	8 - .75	5.33	2.80	4.04	6.00	1.85	0.75	10.30
6	2.78	16.96	9.49	11.22	4.73	4.36	8 - .87	5.97	2.80	6.02	6.00	2.44	0.87	17.20
8	3.44	21.25	11.72	13.50	10.94	6.19	8 - .87	8.28	3.00	7.88	7.88	3.06	0.87	31.00
10	4.31	23.88	14.25	16.19	10.94	6.19	10 - 1.00	9.44	3.00	10.03	7.88	3.75	1.00	41.00
12	5.31	28.03	17.00	19.28	13.00	7.28	12 - 1.00	11.69	3.00	12.25	9.84	4.50	1.00	59.50
14	5.00	28.86	18.74	20.87	13.00	7.28	12 - 1.14	11.81	3.07	13.98	9.92	4.45	1.14	101.00
16	6.54	34.25	21.26	23.46	13.90	9.09	16 - 1.14	13.58	4.72	15.65	11.81	5.98	1.14	152.00

DO NOT USE WITH COMPRESSED AIR OR GAS

