

FEATURES AND BENEFITS

- Corrosion resistant thermoplastic body, disc and handle.
- Ideal for On/Off service or for Throttling
- Heavy – Duty design
- Full boot seal for durable performance
- No flange gaskets are required
- ANSI B16.5 Class 150 Flange Pattern
- Locking Polypropylene Handle with position indicator
- Pressure rating: 150 psi non-shock water @ 73° F
- 100% Bubble tight seal
- Face to face dimensions match ©Asahi Type 56/57 BFV for direct retrofit. ©ASAHI/America, 35 Green St., Malden, MA 02148
- 3 – Year Limited Warranty

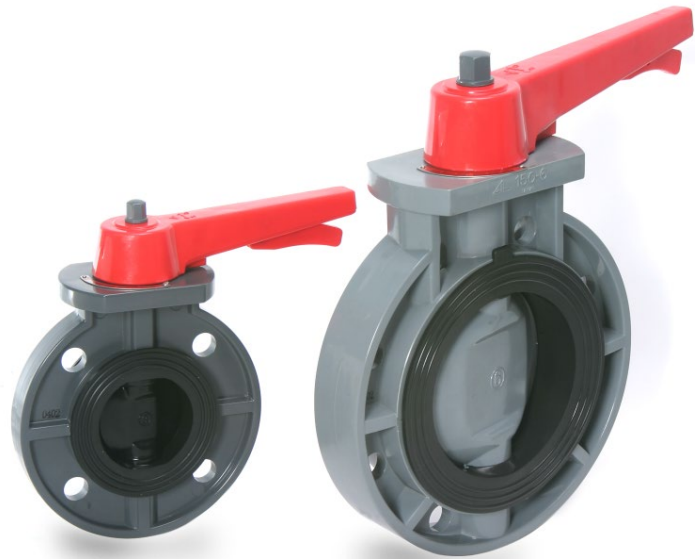
MATERIAL OPTIONS (All are available with EPDM, BUNA-N or FKM Seals)

- PVC w/ PP Disc
- CPVC w/ CPVC Disc
- See NG Series for 2 - 16" sizes with gear operator



SAMPLE ENGINEERING SPECIFICATIONS

Butterfly valves shall be lever actuated. Valve body and disc shall be produced of PVC Type I, cell classification 12454 or CPVC Type IV, cell classification 23447 or PP or material. Valve boot/seal and O-rings shall be made of EPDM, FKM or Buna-N (NBR) material. Stem shall be made of stainless steel. The disc bore (center) shall contain a integrally molded stainless steel reinforcement square liner, which engages with the stainless steel valve stem. Boot/seal (liner) and disc shall be the only wetted parts of the valve. Lever handle shall be produced of PP material, and shall be capable of locking in multiple, marked positions from opening to close. Bolt pattern shall conform to ANSI/ASME B 16.5 Class 150 standard. Valves shall be pressure rated at 150 psi. non-shock water at 73° F.



Revised 2/05/19

**TEMPERATURE DE-RATING
FOR VALVES & UNIONS
(ABOVE 73°)**

TEMP (°F)	PVC	CPVC	PP
73	1.00	1.00	1.00
80	0.88	0.96	0.93
90	0.75	0.92	0.83
100	0.62	0.85	0.74
110	0.50	0.77	0.66
120	0.40	0.70	0.58
130	0.30	0.62	0.51
140	0.22	0.55	0.40
150	NR	0.47	0.38
160	NR	0.40	0.35
170	NR	0.32	0.29
180	NR	0.25	0.23
200	NR	0.18	0.14
210	NR	0.15	0.10
240	NR	NR	NR
280	NR	NR	NR

NR: Not Recommended

Caution: Colonial recommends a minimum installation of 10 X the pipe diameter from a pump or other sources of turbulence.

**MAXIMUM RECOMMENDED TORQUE
FOR FLANGE FASTENERS FOR
INSTALLATION (ft lbs)**

Size	Torque	Size	Torque
2	12	5	18
2 1/2	12	6	20
3	12	8	38
4	18	-	-

OPENING TORQUE (in lbs)

Size	Torque	Size	Torque
2	110	5	588
2 1/2	185	6	714
3	252	8	1260
4	378	-	-

**FLUID FLOW COEFFICIENT Cv* @
90° OPEN**

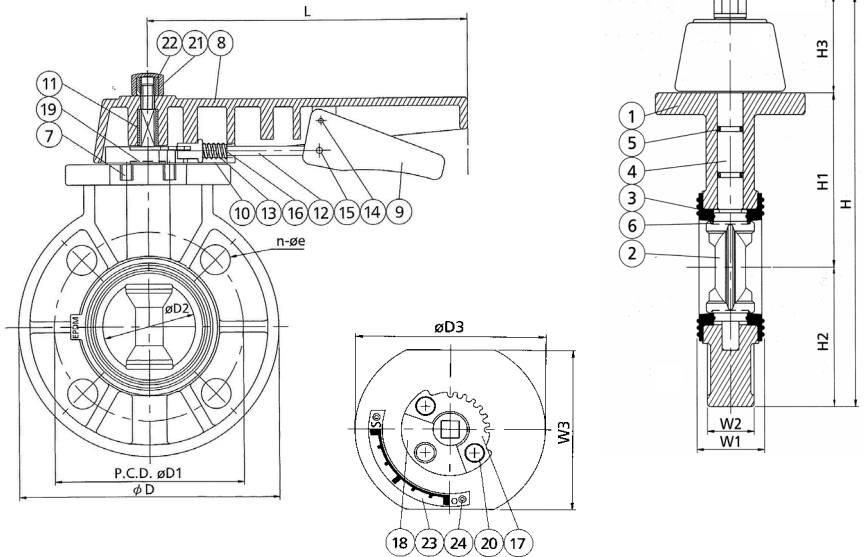
*Gallons per minute @ 1 psi pressure drop

Size	Cv	Size	Cv
2	100	5	650
2 1/2	190	6	1160
3	340	8	2200
4	420	-	-



Available as Contractor Kit with flanges and bolt set. See List Price Sheet

DO NOT USE WITH COMPRESSED AIR OR GAS



DIMENSIONS (inches)

Size	2	2-1/2	3	4	5	6	8
D	6.50	7.28	7.87	9.02	10.12	11.22	13.50
D1	4.76	5.51	5.98	7.52	8.50	9.49	11.73
D2	2.22	2.74	3.13	4.04	5.12	6.02	7.99
D3	4.13	4.72	4.84	5.31	6.46	6.65	7.91
L	7.83	7.83	7.83	9.92	11.69	11.69	11.69
H	9.78	10.53	10.91	12.44	14.70	15.93	18.29
H1	4.06	4.45	4.53	5.33	6.50	6.97	8.27
H2	3.25	3.64	3.94	4.51	5.06	5.61	6.75
H3	2.48	2.44	2.44	2.60	3.15	3.27	3.27
W1	1.69	1.81	1.81	2.20	2.72	2.78	3.35
W2	1.38	1.42	1.42	1.85	2.24	2.44	2.99
W3	3.70	3.70	3.70	3.94	4.33	4.33	4.80
n-ø-e	4 - .75	4 - .75	4 - .75	8 - .75	8 - .87	8 - .87	8 - .87
wgt/lbs	2.4	2.8	3.3	5.3	8.5	12.2	14.0

PARTS AND MATERIALS

Part Letter	Material	Part Letter	Material
1 Body	PVC, CPVC	13 Spring	SUS 304
2 Disc	PVC, CPVC, PP	14 Spring Pin	SUS 304
3 Seal	EPDM, FKM, BUNA	15 Spring Pin	SUS 304
4 Stem	SUS 410	16 Washer	SUS 304
5 Stem O-Ring	EPDM, FKM, BUNA	17 Locking Plate	SUS 304
6 Disc O-Ring	EPDM, FKM, BUNA	18 Gear Seat	PP+GF
7 Inserted Nut	C3604	19 Washer	SUS 304
8 Large Handle	PP	20 Bolt	SUS 304
9 Small Handle	PP	21 Nut	PVC
10 Spring Lock	PP	22 Insert Nut	C3604
11 Handle Insert	Stainless Steel	23 Lever	SUS 304
12 Handle Lever	SUS 304	24 Rivet	Stainless Steel

SIZE & PART NUMBERS

SIZE	PVC/EPDM	PVC/BUNA	PVC/FKM	CPVC/EPDM	CPVC/FKM
2	V20411N	-	V20412N	V20413N	V20414N
2-1/2"	V27411N	-	V27412N	V27413N	V27414N
3	V30411N	V30415N	V30412N	V30413N	V30414N
4	V40411N	V40415N	V40412N	V40413N	V40414N
5	V50411N	-	-	-	-
6	V60411N	V60415N	V60412N	V60413N	V60414N
8	V80411N	V80415N	V80412N	V80413N	V80414N