

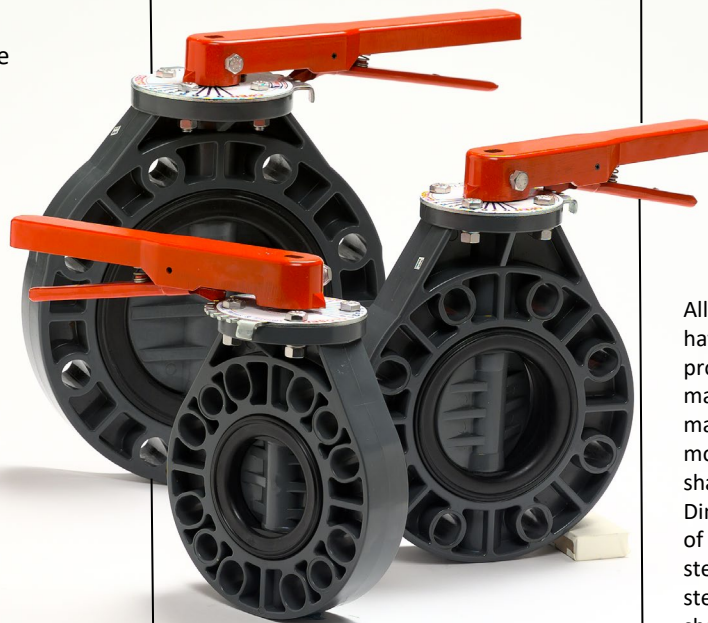
Colonial 311N Series Butterfly valves are ideal for use as On/Off or throttling valves. With the 10-position index plate, it is easy to repeat consistent flow conditions. Compact in design, this valve is used when space is at a premium.

This valve is ideally suited for the most demanding industrial, commercial, aquatic and irrigation environments.

FEATURES AND BENEFITS

- Corrosion-resistant thermoplastic body and disc.
- 100% bubble-tight seal.
- Stainless steel index plate and hardware.
- Bolt pattern meets ANSI, DIN specifications and AWWA dimensional standards.
- Extra heavy duty one-piece PVC body.

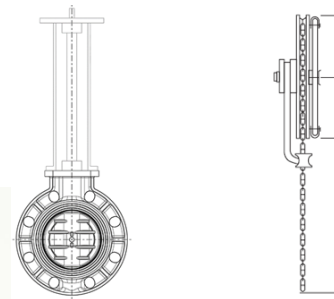
- Triple seal design for maximum reliability.
- Pressure rated at 150 psi, non-shock water at 73°F.
- Corrosion-resistant stainless steel stem is heat treated for maximum strength.
- Rugged, corrosion-resistant coated steel handle.
- Up to 50% lighter in weight than metal valves.
- PVC disc with optimized for strength/Cv performance.
- Integral boot seal (flange gaskets not required)
- 3 – Year Limited Warranty



- Lay length, stem diameter and top works dimensions are compatible with Keystone Figure 100 butterfly valves. Takeout dimension equal to Bray® and most other Cast Iron Butterfly Valves.

ACCESSORIES

Stem extensions, gear operator with handwheel or 2" operating nut, and chain are available.



SAMPLE ENGINEERING SPECIFICATIONS

All thermoplastic butterfly valves (3 through 6") shall have bodies of one piece, full-face construction produced of PVC type 1, cell classification 12454 material. Elastomeric liner and O-rings shall be EPDM material. Elastomeric liner shall have an integrally molded flange face seal. Valve bolt pattern shall meet ANSI B16.5, Class 150 and AWWA Dimensional Standards. Valve disc shall be produced of PVC type 1, cell classification 12454 material. Valve stem and index plate shall be stainless steel. Valve stem shall be of blow-out proof design. Operations shall be by lever handle. Valves shall be pressure rated at 150 psi, non-shock water at 73°F.

Note: For material choices of CPVC, PVC, PP with Viton® or EPDM, please see the Colonial 411N + 411NG Series.



Revised 6/1/20

TEMPERATURE DE-RATING FOR VALVES & UNIONS (ABOVE 73°F)

Temp (°F)	PVC	Temp (°F)	PVC
73	1.00	150	NR
80	0.88	160	NR
90	0.75	170	NR
100	0.62	180	NR
110	0.50	200	NR
120	0.40	210	NR
130	0.30	240	NR
140	0.22	280	NR

NR: Not Recommended

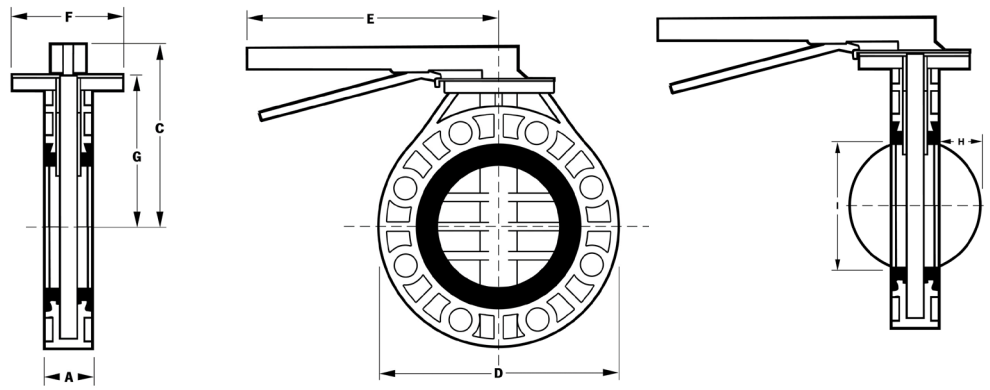
Caution: Colonial recommends a minimum installation distance of 10 X the pipe diameter from a pump or other sources of turbulence.



Also available in a Contractor Kit, which includes flanges and bolt set. See List Price Sheet for details.



Do not use with compressed air or gas



TORQUE VALUES (IN-LBS)

Valve Size	Opening	Closing
3"	255	200
4"	325	300
6"	520	480

VALVE SIZES

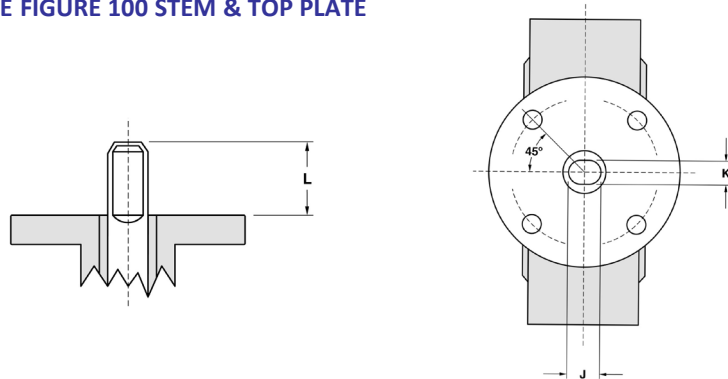
Valve Size	Lever Handle
3"	V30311N
4"	V40311N
6"	V60311N

DIMENSIONS

Valve Closed							Valve 90° Open	
	Size	A*	C	D	E	F	G	H
3"	1.750	6.310	7.500	9.500	4.190	4.880	0.630	2.375
4"	2.000	7.750	9.000	9.500	4.190	6.280	1.000	3.375
6"	2.120	8.375	11.219	11.750	5.030	7.000	2.000	5.500

Takeout Dimensions Equal to Bray and most other Cast Iron Butterfly Valves.

KEYSTONE FIGURE 100 STEM & TOP PLATE



DIMENSIONS

Size	L	J	K	Bolt Circle	No. Holes	Top Plate Hole Ø
3"	1.250	0.563	0.375	3.250	4	0.438
4"	1.250	0.625	0.438	3.250	4	0.438
6"	1.250	0.625	0.438	3.250	4	0.438

BOLT SPECIFICATIONS

Pipe Size	Number Flange Holes	USS Std. Hex Head Bolt Diameter	USS Std. Hex Nut Size	SAE Std. Flat Washer Size	SAE Std. Flat Washer O.D.	Rec. Torque (ft-lbs)
3"	4	5/8"	5/8"	5/8"	5/16"	20-30
4"	8	5/8"	5/8"	5/8"	1-5/16"	20-30
6"	8	3/4"	3/4"	3/4"	1-1/2"	35-50

FLUID FLOW COEFFICIENT Cv*

* Gallons per minute @ 1 psi pressure drop

Degrees / Open

Valve Size	10°	20°	30°	40°	50°	60°	70°	80°	90°
3"	4.30	16	35	62	94	135	180	235	290
4"	8.60	34	76	137	215	310	420	550	690
6"	17.50	67	200	265	410	580	790	1040	1340